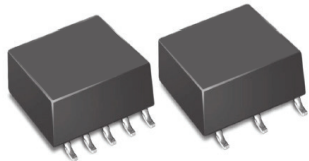


MIL-STD-1553 TRANSFORMERS

SMT Single Transformers

Ruggedized



- ⊗ Single transformer package
- ⊗ Low Profile: 0.185" height
- ⊗ Storage Temperature: -55°C to +130°C
- ⊗ Max Reflow Temperature: 235°C
- ⊗ Weight: ≤3.0 grams
- ⊗ Lead Finish: Sn63/Pb37
- ⊗ Moisture Sensitivity Level: 3

Summary Performance Specifications

Drop	20% MAX
Overshoot	±1V MAX
Common Mode Rejection (CMR)	45dB MIN
Frequency Range (no load)	75kHz - 1MHz
Operating Temperature Range	-55°C to +130°C
Insulation Resistance (MIN)	10K MΩ @ 250Vdc
Dielectric Withstanding Voltage	100Vrms

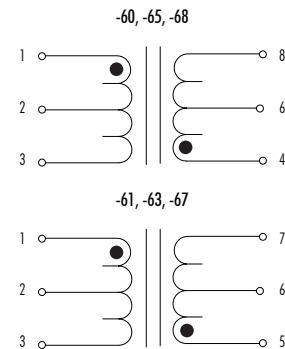
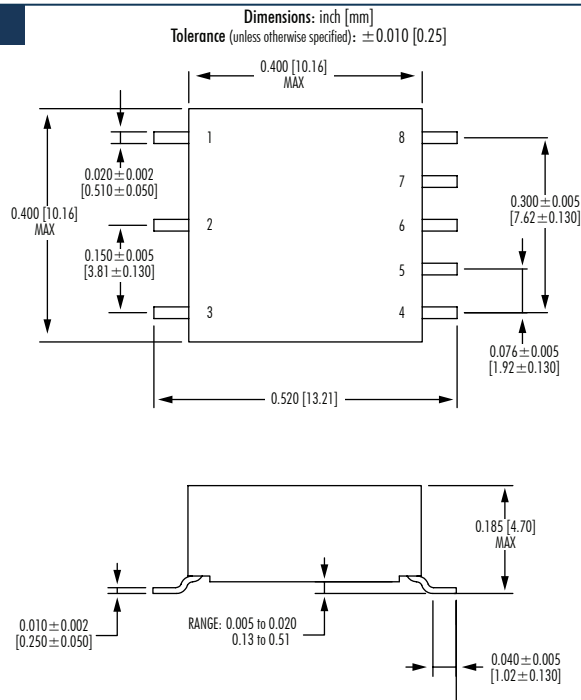
Characteristics

Part Number	Terminals	Turns Ratio	RDC MAX	Impedance MIN
		(±3%)	(W)	(W)
SMG1553-60	1-3-4-8	1.25CT:1CT	(1-3) 2.4, (4-8) 2.2	(1-3) 4,000
SMG1553-61	1-3-5-7	1.66CT:1CT	(1-3) 2.4, (5-7) 1.5	(1-3) 4,000
SMG1553-65	1-3-4-8	1CT:2.50CT	(1-3) 1.0, (4-8) 2.6	(4-8) 4,000
SMG1553-66	1-3-5-7	1CT:1.79CT	(1-3) 1.3, (5-7) 2.6	(5-7) 4,000
SMG1553-67	1-3-5-7	1CT:2.70CT	(1-3) 0.50, (5-7) 2.5	(5-7) 4,000
SMG1553-68	1-3-4-8	1CT:3.75CT	(1-3) 0.40, (4-8) 2.5	(4-8) 4,000

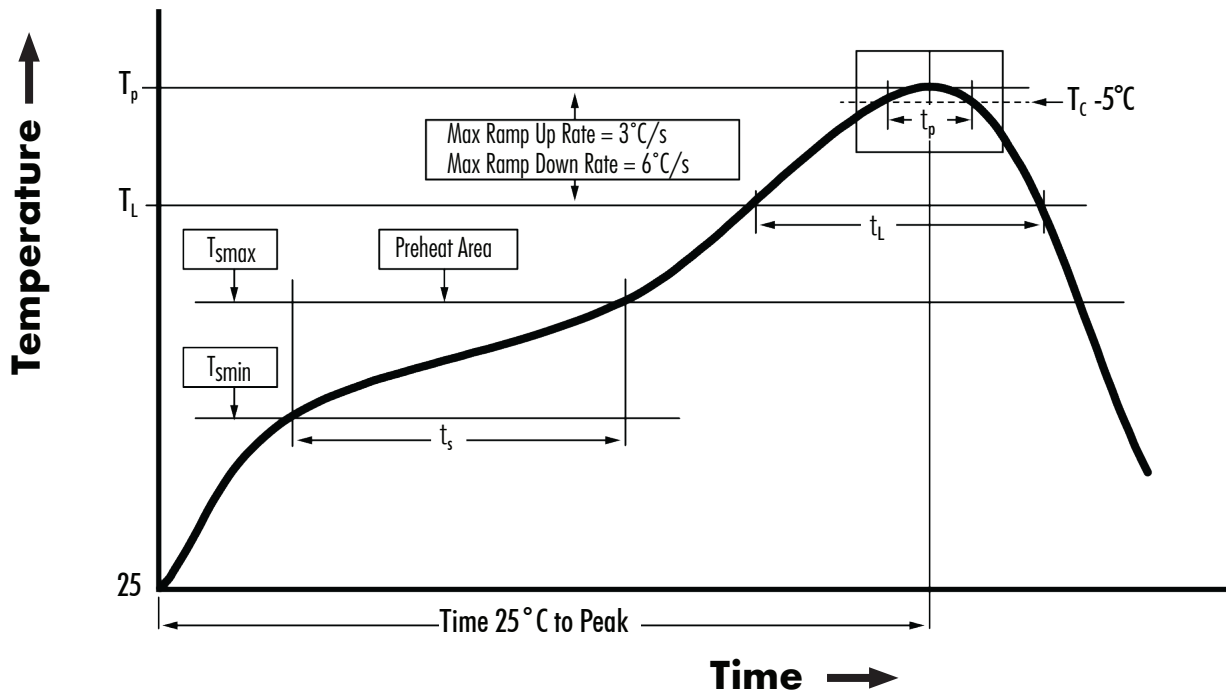
Mechanicals

Electrical Schematics

SMG1553-6X



Recommended Reflow Profile (Based on J-STD-020D)



T_{SMIN} (°C)	T_{SMAX} (°C)	T_L (°C)	T_P (°C MAX)	t_s (s)	t_L (s)	t_p (s MAX)	Ramp-up rate (T_L to T_p)	Ramp-down rate (T_p to T_L)	Time 25°C to peak temperature (s MAX)
Tin/Lead Profile									
100	150	183	225	60 - 120	60 - 150	20	3°C/s MAX	6°C/s MAX	360

NOTES:

1. All temperatures measured on the package leads.
2. Maximum number of reflow cycles not to exceed 2.

