

HIGH FREQUENCY BALUN ADAPTOR

Ruggedized



- Transforms 100Ω balanced differential signals to 75Ω, Grounded unbalanced signal.
- Designed for SMPTE-292M HDTV application at 1.485GBs data rate
- Designed for flight application with Environmental, EMI and corrosion protection
- Operating Temperature: -55°C to +125°C
- Moisture Sensitivity Level: 1

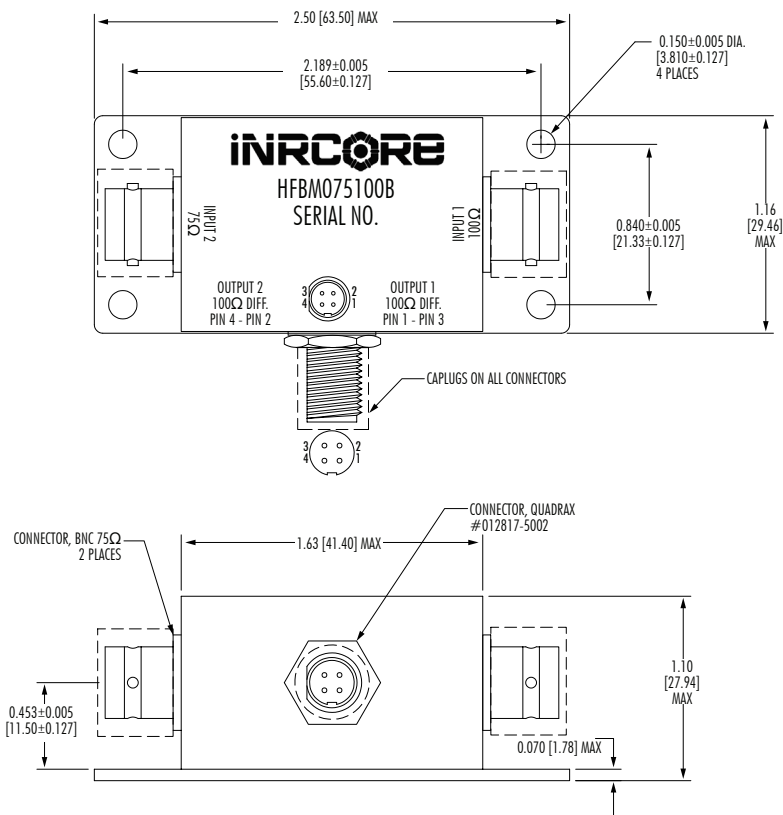
Electrical Specifications @ 25°C

Part Number	Impedance Unbalanced (Ω)	Impedance Balanced (Ω)	Insertion Loss 1.485 GBs (dB MAX)	Jitter Dj 1.485 GBs, PN7 (pSec MAX)
HFBM075100B	75	100	2	110
HFBM075100C	75	100	2	110

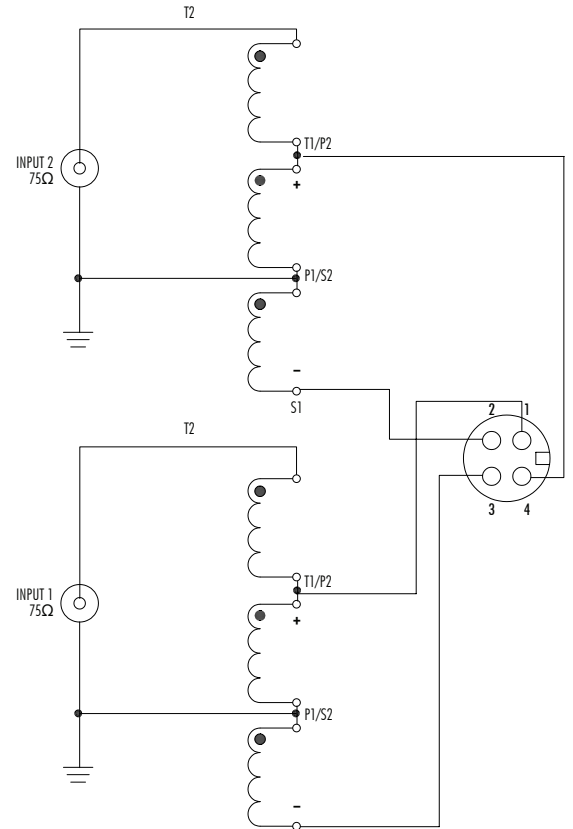
Mechanicals

HFB075100B/C

Dimensions: inch [mm]
Tolerance (unless otherwise specified): ±0.010 [0.25]



Electrical Schematics



HIGH FREQUENCY BALUN ADAPTOR

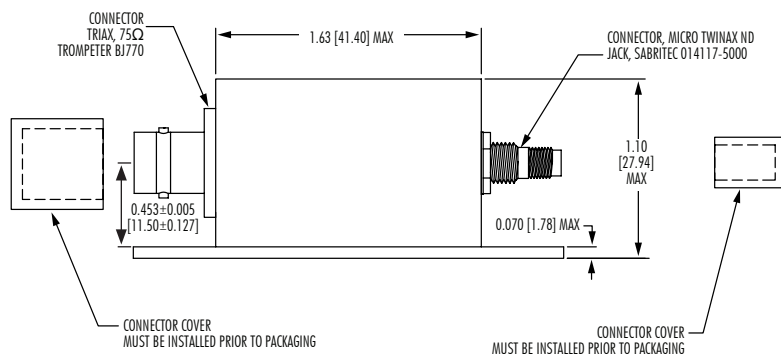
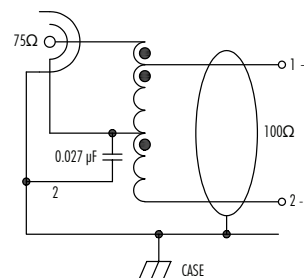
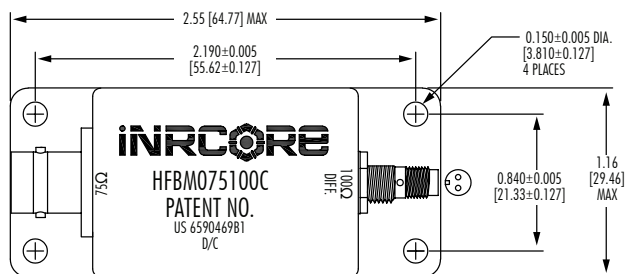
Ruggedized

Mechanicals

Electrical Schematics

HFB075100C

Dimensions: inch [mm]
Tolerance (unless otherwise specified): ± 0.010 [0.25]



iNRCORE, LLC
311 Sinclair Road, Bristol, PA 19007-6812 USA
Tel: +1.215.781.6400 Fax: +1.215.781.6430

www.iNRCORE.com

M147.E (31 MAR25)

Performance warranty of products offered on this data sheet is limited to the parameters specified. Data is subject to change without notice. Other brand and product names mentioned herein may be trademarks or registered trademarks of their respective owners. © Copyright, 2025. iNRCORE, LLC. All rights reserved.

