

# 10/100BASE-TX QUAD PORT TRANSFORMER MODULES

Ruggedized



- ⚙️ Compliant with IEEE 802.3u and ANSI X3.263 standards
- ⚙️ 350µH OCL with 8mA bias
- ⚙️ IC grade transfer-molded package withstands 235°C peak temperature profile
- ⚙️ Moisture Sensitivity Level: 3

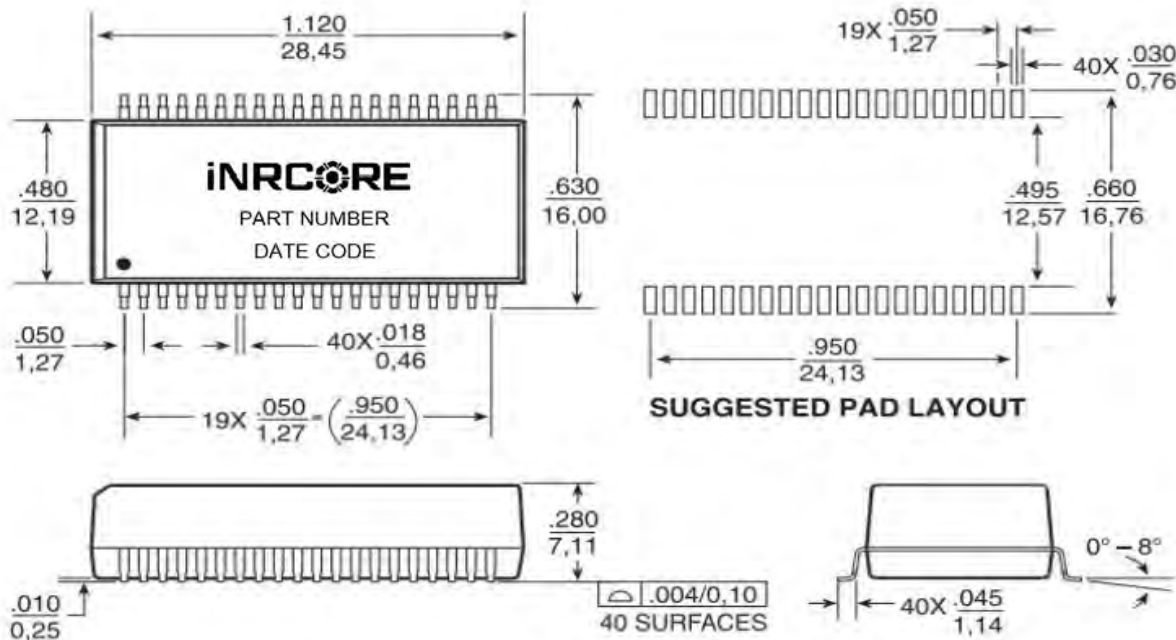
## Electrical Specifications @ 25 °C – Operating Temperature – 40 °C to +85 °C

Part 1,2,3 Number	Insertion Loss (dB MAX)	Return Loss (dB MIN)				Crosstalk (dB MAX)				Differential to Common Mode Rejection (dB MIN)			
		0.1 - 100MHz	5MHz	30MHz	60MHz	80MHz	1MHz	30MHz	60MHz	80MHz	30MHz	60MHz	80MHz
100B-4011	-1.2	-16	-16	-12	-12	-50	-43	-37	-33	-42	-37	-33	-25

Notes: 1. Add suffix X for extended temp version (ie. **100B-4011X**); 2. Add suffix NL for RoHS compliant version (ie. **100B-4011NL**); 3. Add suffix T for tape and reel (ie. 100B-4011T).

## Mechanical

### 100B-4011X



Weight ..... 4.0 grams TYP  
Tape and Reel ..... 250/reel  
Tray ..... 15/tray

Dimensions:  $\frac{\text{Inches}}{\text{mm}}$   
Unless otherwise specified, all tolerances are  $\pm \frac{.010}{0,25}$

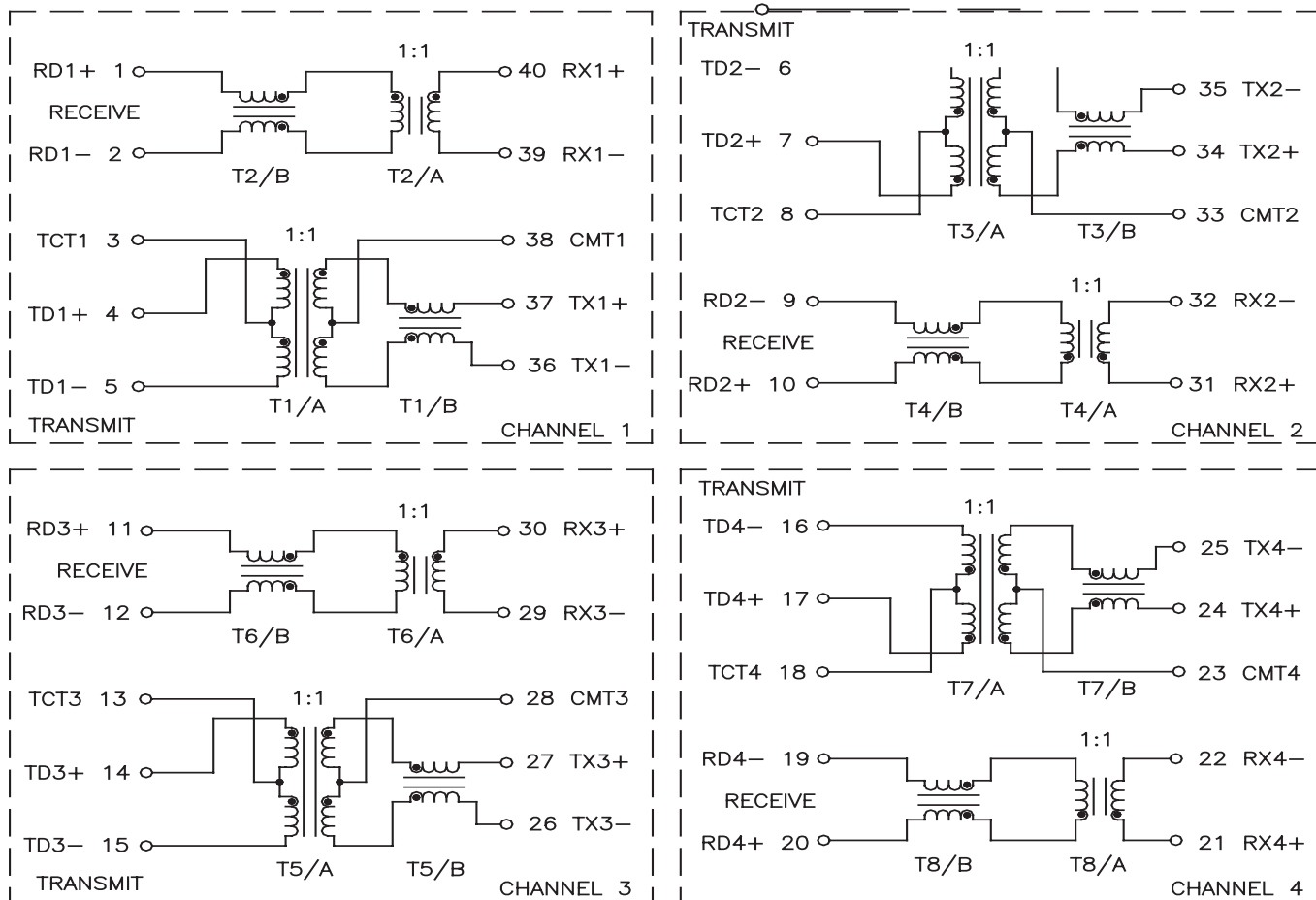


# 10/100BASE-TX QUAD PORT TRANSFORMER MODULES

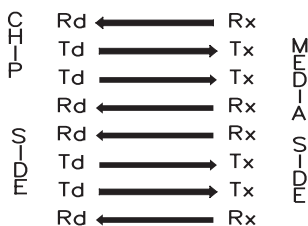
Ruggedized



## Electrical Schematic



### LEGEND



ALL CHANNELS ARE IN PHASE BETWEEN INPUT AND OUTPUT

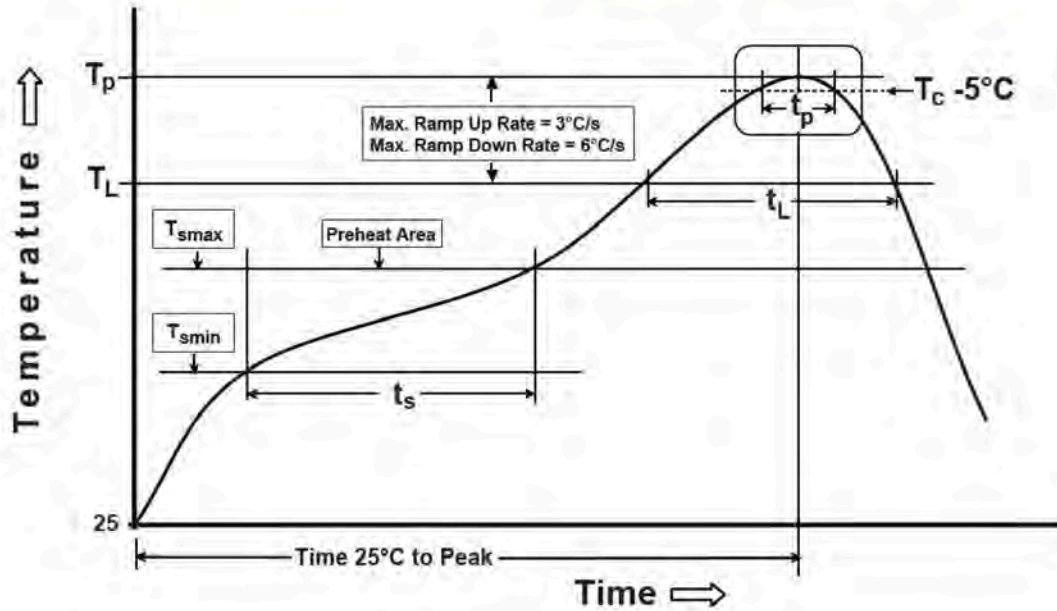


# 10/100BASE-TX QUAD PORT TRANSFORMER MODULES

Ruggedized



Tin/Lead Recommended Reflow Profile (Based on J-STD-020D)



$T_{SMIN}$ (°C)	$T_{SMAX}$ (°C)	$T_L$ (°C)	$T_P$ (°C MAX)	$t_s$ (s)	$t_L$ (s)	$t_p$ (s MAX)	Ramp-up rate ( $T_L$ to $T_P$ )	Ramp-down rate ( $T_P$ to $T_L$ )	Time 25°C to peak temperature (s MAX)
100	150	183	235	60-120	60-150	20	3°C/s MAX	6°C/s MAX	360

Notes:

1. All temperatures measured on the package leads.
2. Maximum times of reflow cycle: 2.

## For More Information

iNRCORE, LLC  
 311 Sinclair Road Bristol,  
 PA 19007-6812 U.S.A  
 Tel: + 1.215.781.6400  
 Fax: +1.215.7816430

**Global Sales Representatives and Locations:**  
<http://www.incore.com>

Performance warranty of products offered on this data sheet is limited to the parameters specified. Data is subject to change without notice. Other brand and product names mentioned herein may be trademarks or registered trademarks of their respective owners. © Copyright, 2020. iNRCORE, LLC. All rights reserved.

