

High-Frequency Balun Adaptors for SMPTE-424M HDTV



- Transforms 100Ω balanced differential signal to 75Ω, grounded, unbalanced signal
- Designed for SMPTE-424M HDTV application at 2.973GBs data rate
- Operating Temperature: -55°C to +125°C
- Moisture Sensitivity Level: 1

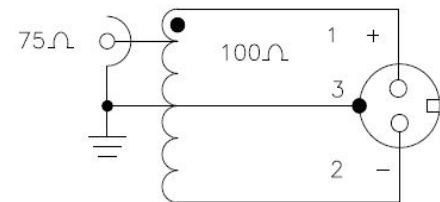
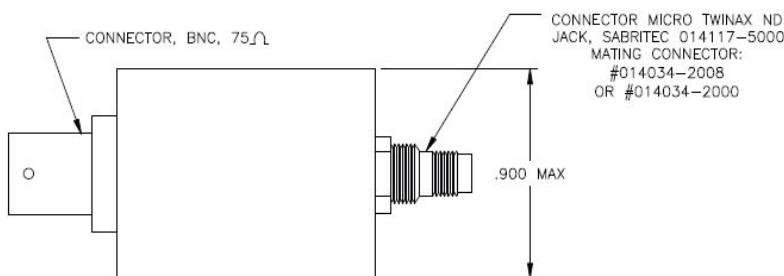
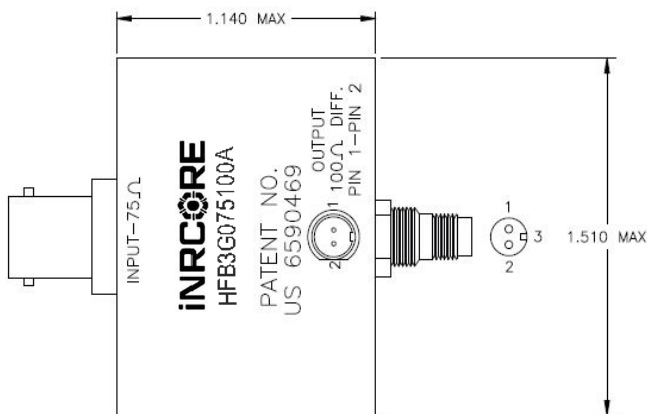
Electrical Specifications @ 25°C - Operating Temperature -55°C to 125°C

Part Number	Impedance Unbalanced	Impedance Balanced	Insertion Loss db MAX. 2.973 GBs	Jitter Dj pSec. Max. 2.973 GBs, PN7
HFB3G075100A	75	100	-1.0	65.0
HFB3G075100B	75	100	-1.0	65.0
HFB3GL075100A	75	100	-1.0	65.0
HFB3GL075100B	75	100	-1.0	65.0

Mechanical

Schematic

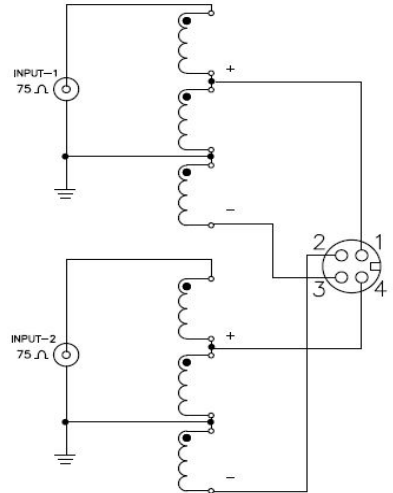
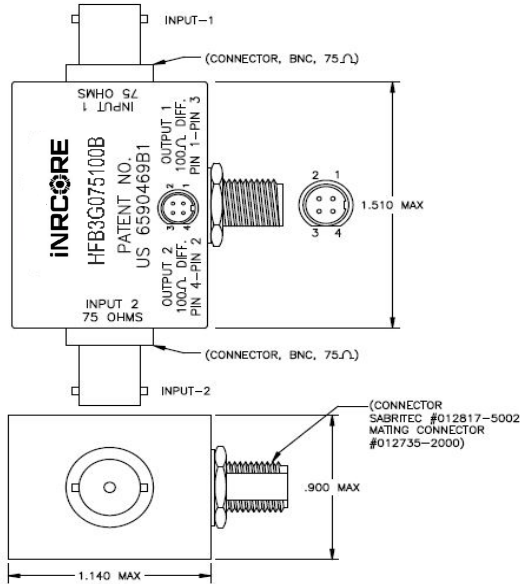
HFB3G075100A



Mechanical

Schematic

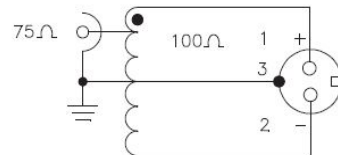
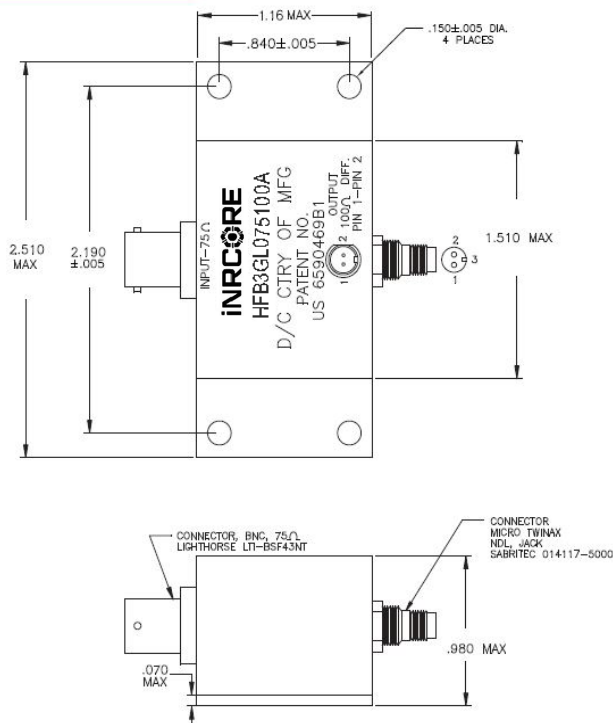
HFB3G075100B



Mechanical

Schematic

HFB3GL075100A



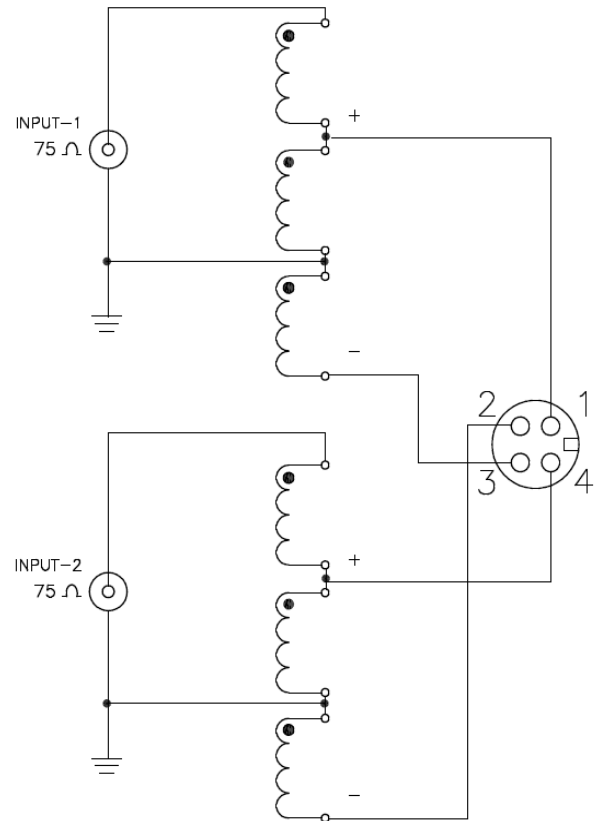
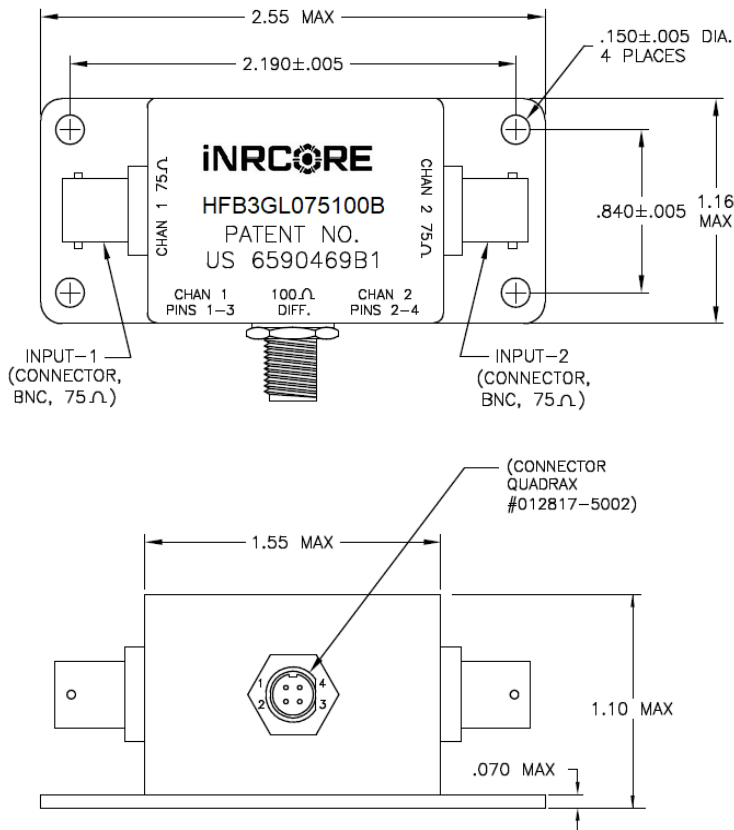
High-Frequency Balun Adaptors for SMPTE-424M HDTV



Mechanical

Schematic

HFB3GL075100B



For More Information

iNRCORE, LLC
311 Sinclair Road Bristol,
PA 19007-6812 U.S.A
Tel: + 1.215.781.6400
Fax: +1.215.781.6430

Global Sales Representatives and Locations:
<http://www.inrcore.com>

Performance warranty of products offered on this data sheet is limited to the parameters specified. Data is subject to change without notice. Other brand and product names mentioned herein may be trademarks or registered trademarks of their respective owners. © Copyright, 2020. iNRCORE, LLC. All rights reserved.

