

High-Frequency Balun Adaptors for SMPTE-424M HDTV



- ⚙️ Transforms 150Ω balanced differential signal to 75Ω, grounded, unbalanced signal
- ⚙️ Designed for SMPTE-424M HDTV application at 2.973GBs data rate
- ⚙️ Operating Temperature: -55°C to +125°C
- ⚙️ Moisture Sensitivity Level: 1

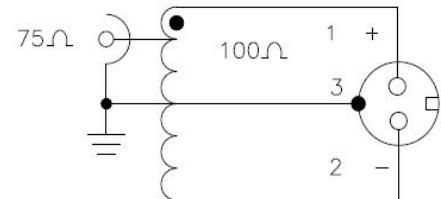
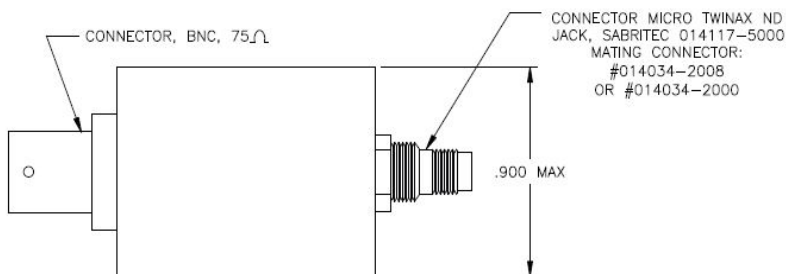
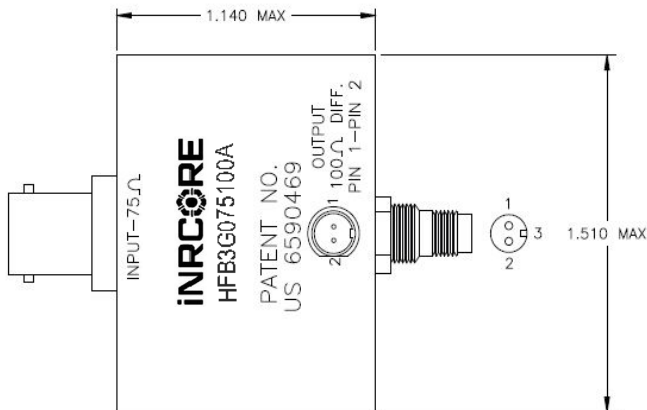
Electrical Specifications @ 25°C - Operating Temperature -55°C to 125°C

| Part Number | Impedance Unbalanced | Impedance Balanced | Insertion Loss db MAX. 2.973 GBs | Jitter Dj pSec. Max. 2.973 GBs, PN7 |
|---------------|----------------------|--------------------|----------------------------------|-------------------------------------|
| HFB3G075150A | 75 | 150 | -1.0 | 65.0 |
| HFB3G075150B | 75 | 150 | -1.0 | 65.0 |
| HFB3GL075150A | 75 | 150 | -1.0 | 65.0 |
| HFB3GL075150B | 75 | 150 | -1.0 | 65.0 |

Mechanical

Schematic

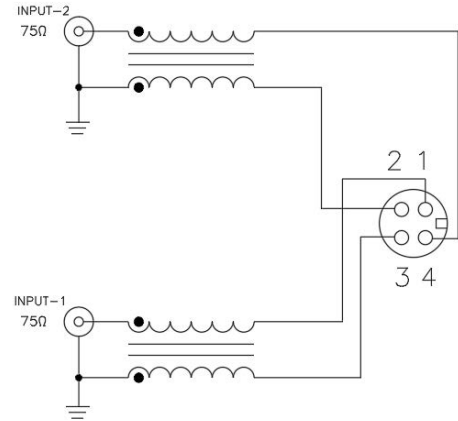
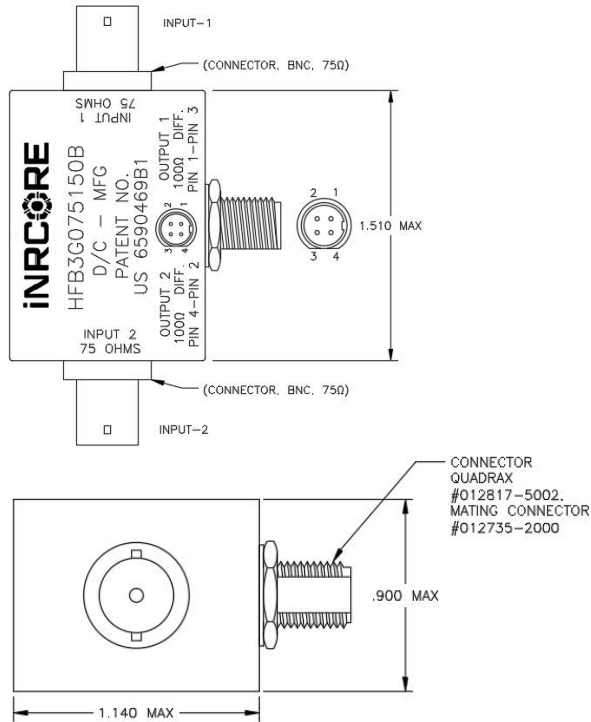
HFB3G075150A



Mechanical

Schematic

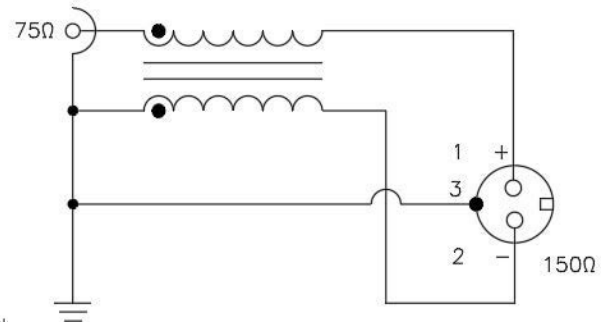
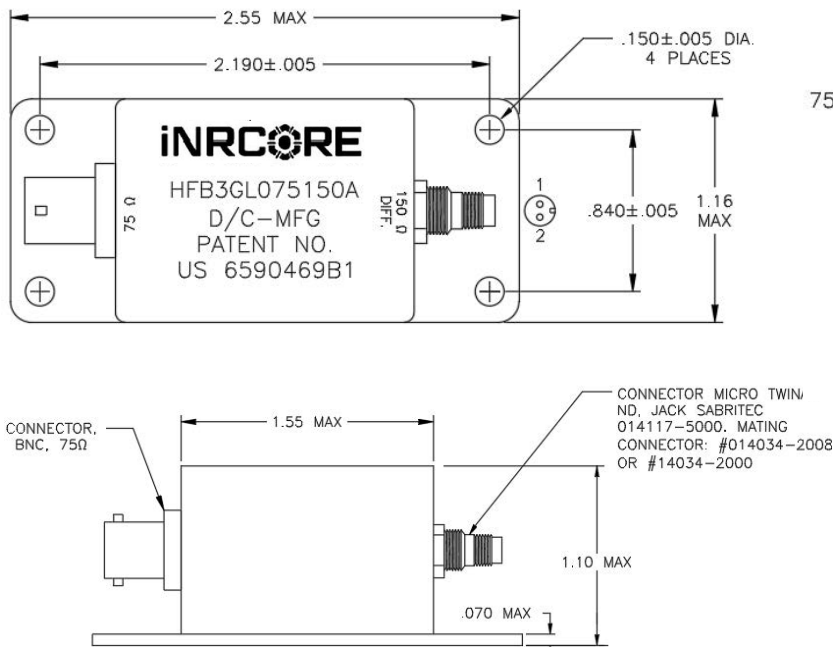
HFB3G075150B



Mechanical

Schematic

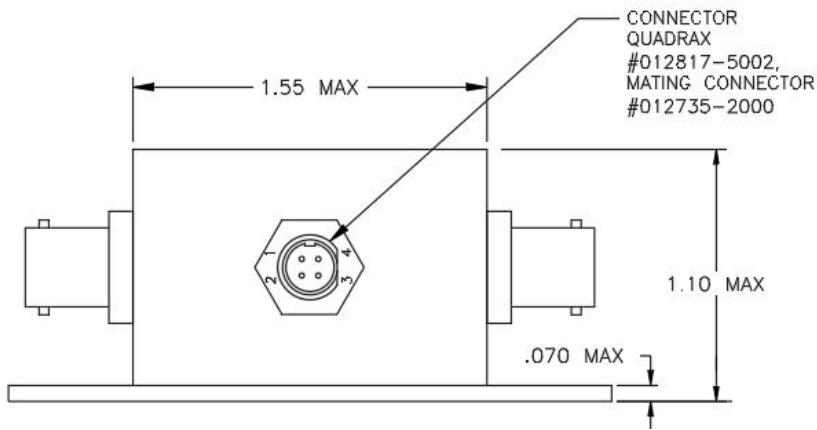
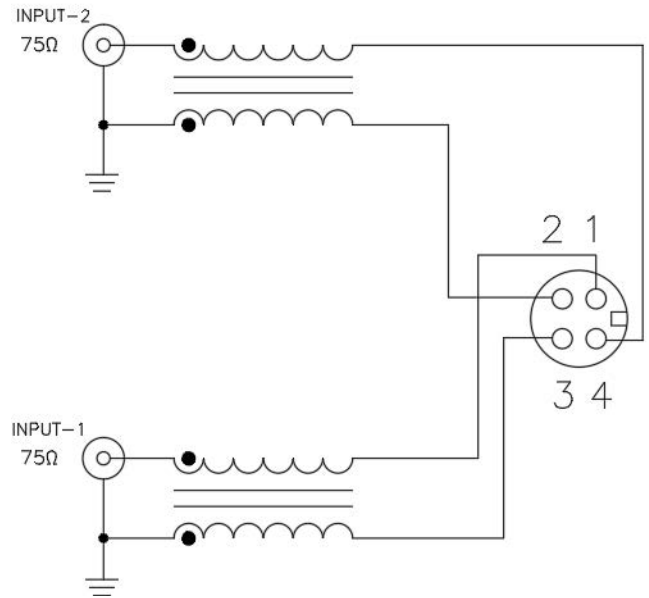
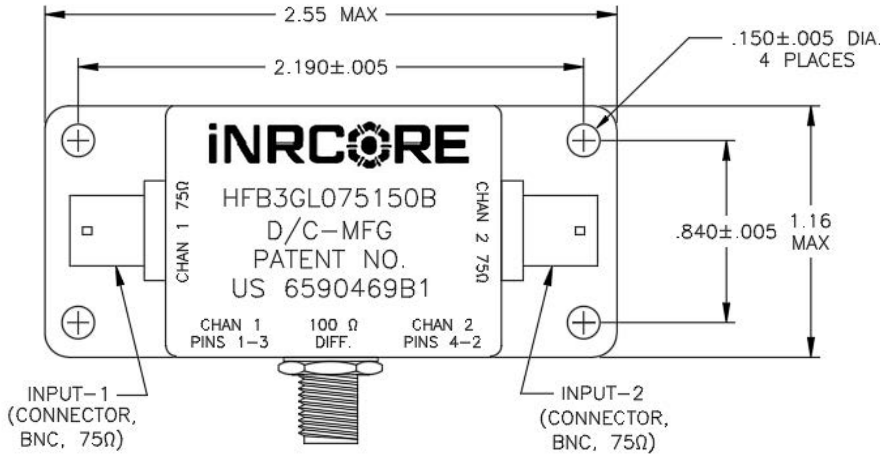
HFB3GL075150A



Mechanical

Schematic

HFB3GL075150B



For More Information

iNRCORE, LLC
311 Sinclair Road Bristol,
PA 19007-6812 U.S.A
Tel: + 1.215.781.6400
Fax: +1.215.781.6430

Global Sales Representatives and Locations:
<http://www.inrcore.com>

Performance warranty of products offered on this data sheet is limited to the parameters specified. Data is subject to change without notice. Other brand and product names mentioned herein may be trademarks or registered trademarks of their respective owners. © Copyright, 2020. iNRCORE, LLC. All rights reserved.

