

COPPERHEAD™ HIGH SPEED DUAL TRANSFORMERS & CMC MODULE

Ruggedized

- ⊗ Compliant with ANSI X3T111
- ⊗ Operating & Storage Temperature: -55°C to +125°C
- ⊗ Dielectric Withstanding Voltage (DWW): 1500 Vrms
- ⊗ Lead Finish: Sn63/Pb37
- ⊗ Moisture Sensitivity Level: 3

Electrical Specifications @ 25°C					
Part Number	Turns Ratio (±5%)	Primary Inductance 100kHz, 1.0Vrms (μH MIN)	Primary DC Resistance (Ω MAX)	Insertion Loss (dB MAX)	Application Nominal Data Rate (Mbps)
T-1485TCM	1:1	2.5	0.25	-	1485 (SMPTE)
T-3200TCM	1:1	0.70	0.25	4.5 @ 1.6GHz	3200 (SMPTE)

NOTES:

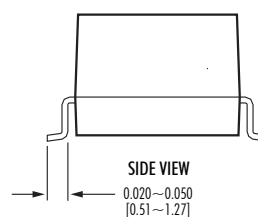
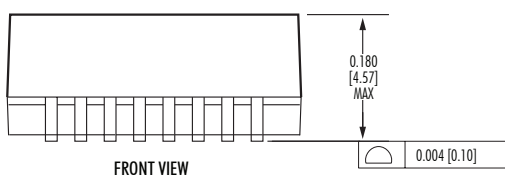
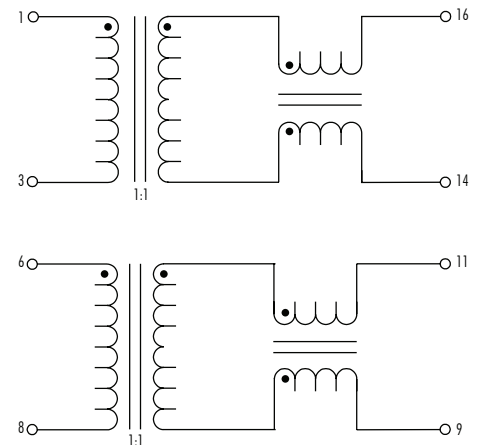
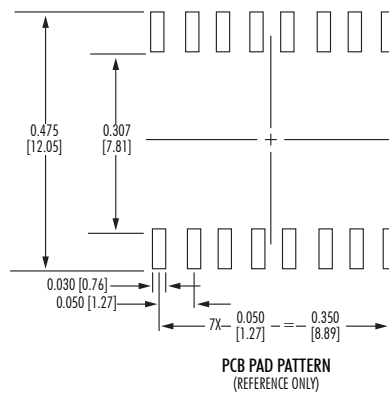
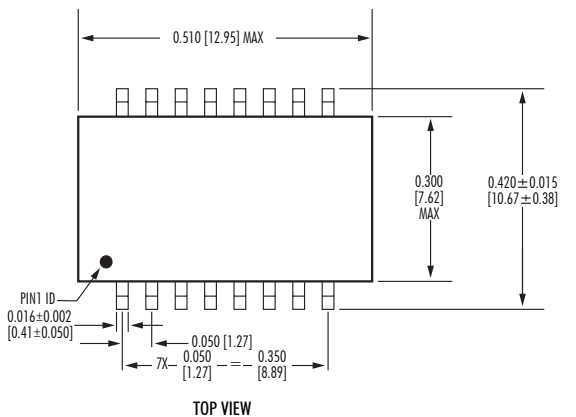
1. Add suffix "NL" for RoHS compliant version; i.e. T-1485TCM becomes T-1485TCMNL. NL parts have 100% SN Lead Finish.
2. For Tape & Reel packaging, add "T" suffix at the end of the part number: i.e. T-1485TCMT

Mechanicals

Electrical Schematics

T-1485TCM

Dimensions: inch [mm]
Tolerance (unless otherwise specified): ±0.010 [0.254]



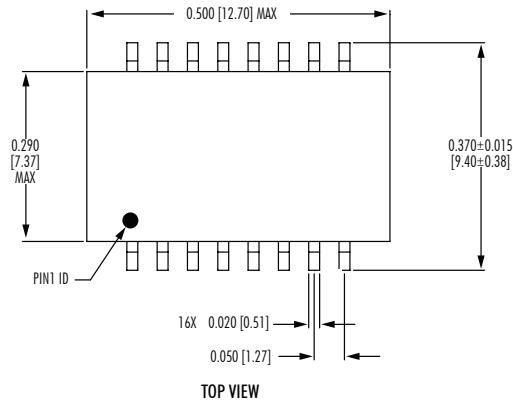
COPPERHEAD™ HIGH SPEED DUAL TRANSFORMERS & CMC MODULE

Ruggedized

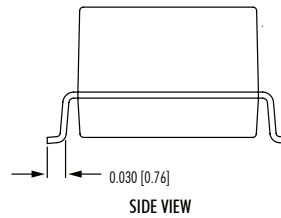
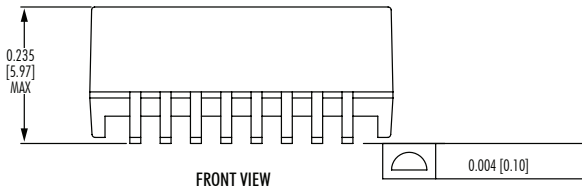
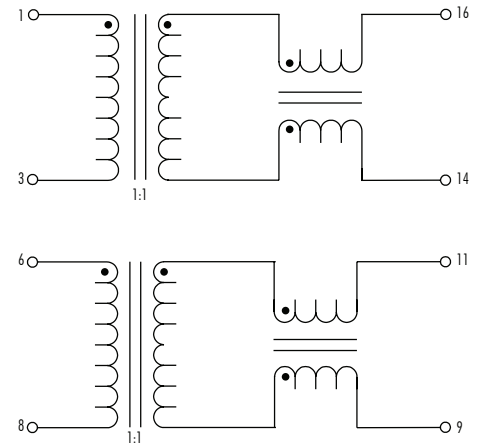
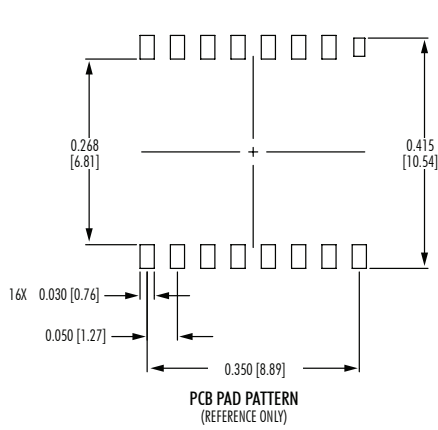
Mechanicals

Electrical Schematics

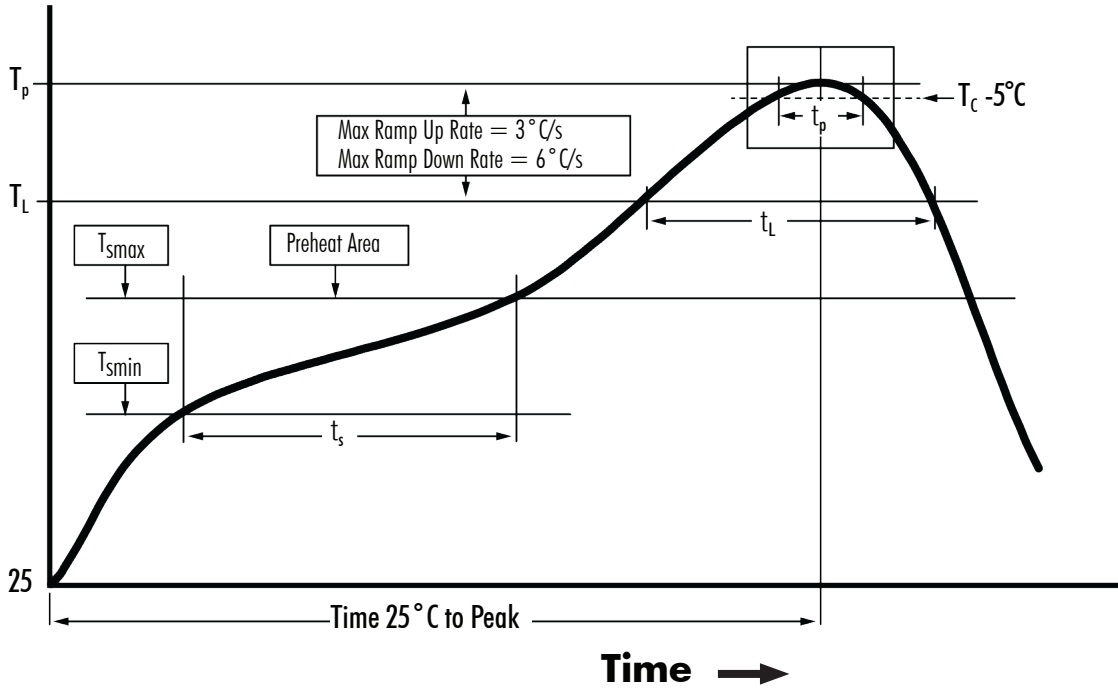
T-3200TCM



Dimensions: inch [mm]
Tolerance (unless otherwise specified): ±0.010 [0.254]



Recommended Reflow Profile (Based on J-STD-020D)



T_{SMIN} (°C)	T_{SMAX} (°C)	T_L (°C)	T_P (°C MAX)	t_s (s)	t_L (s)	t_p (s MAX)	Ramp-up rate (T_L to T_P)	Ramp-down rate (T_P to T_L)	Time 25°C to peak temperature (s MAX)
Tin/Lead Profile									
100	150	183	220	60 - 120	60 - 150	20	3°C/s MAX	6°C/s MAX	360
Non-Lead Profile									
150	200	217	245	60 - 120	60 - 150	30	3°C/s MAX	6°C/s MAX	480

NOTES:

1. All temperatures measured on the package leads.
2. Maximum number of reflow cycles not to exceed 2.

