

HIGH FREQUENCY BALUN ADAPTOR

For SMPTE-292M HDTV

Ruggedized

- Transforms 100Ω balanced differential signal to 75Ω, grounded unbalanced signal
- Designed for SMPTE-292M HDTV application at 1.485GBs data rate
- Storage Temperature: -55°C to +125°C
- Operating Temperature: -55°C to +125°C
- Moisture Sensitivity Level: 1

Electrical Specifications @ 25°C

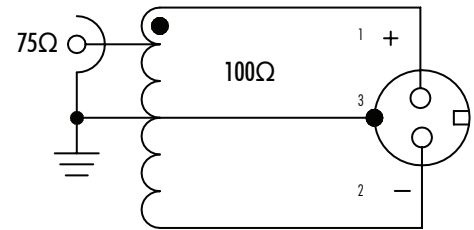
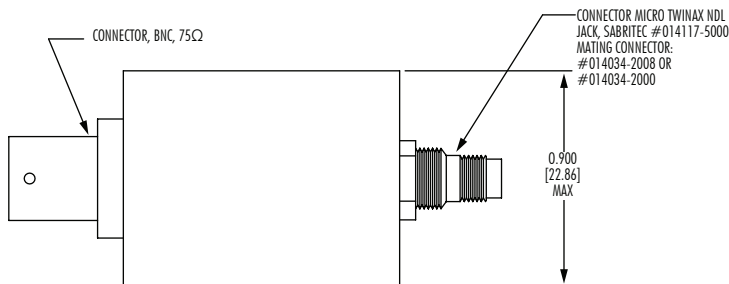
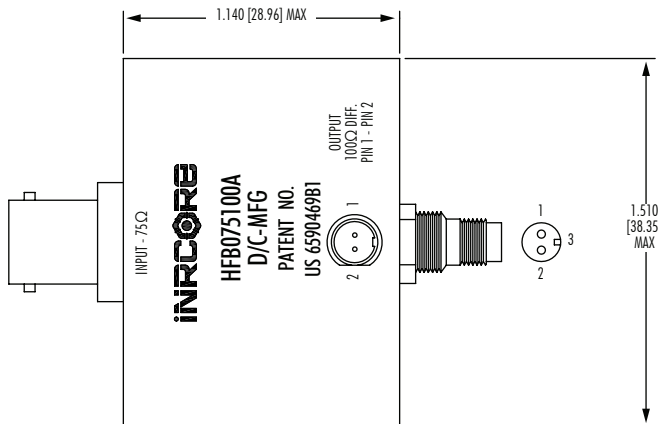
Part Number	Impedance Unbalanced (Ω)	Impedance Balanced (Ω)	Insertion Loss @ 1.485 GHz (dB MAX)	Jitter Dj @ 1.485 GBs, PN7 (pSec MAX)
HFB075100A	75	100	2	110
HFB075100B	75	100	2	190
HFBL075100A	75	100	2	190
HFBL075100B	75	100	2	190

Mechanicals

Electrical Schematics

HFB075100A

Dimensions: inch [mm]
Tolerance (unless otherwise specified): ±0.010 [0.25]



HIGH FREQUENCY BALUN ADAPTOR

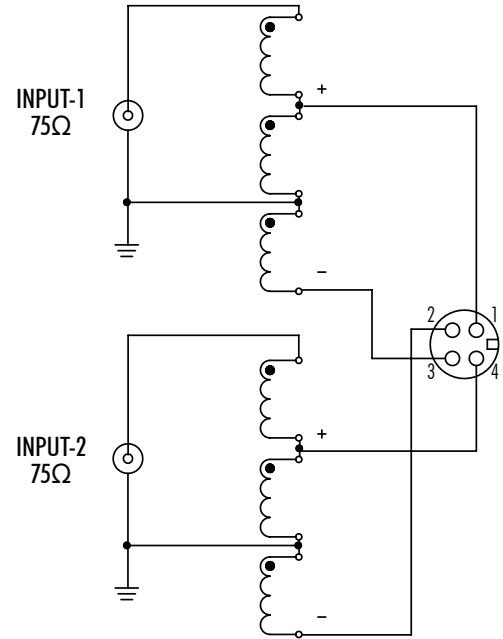
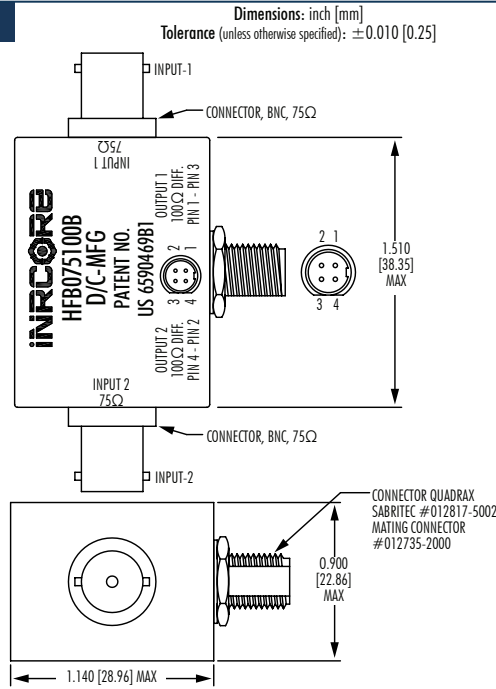
For SMPTE-292M HDTV

Ruggedized

Mechanicals

Electrical Schematics

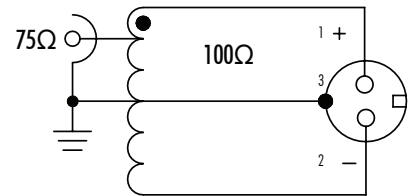
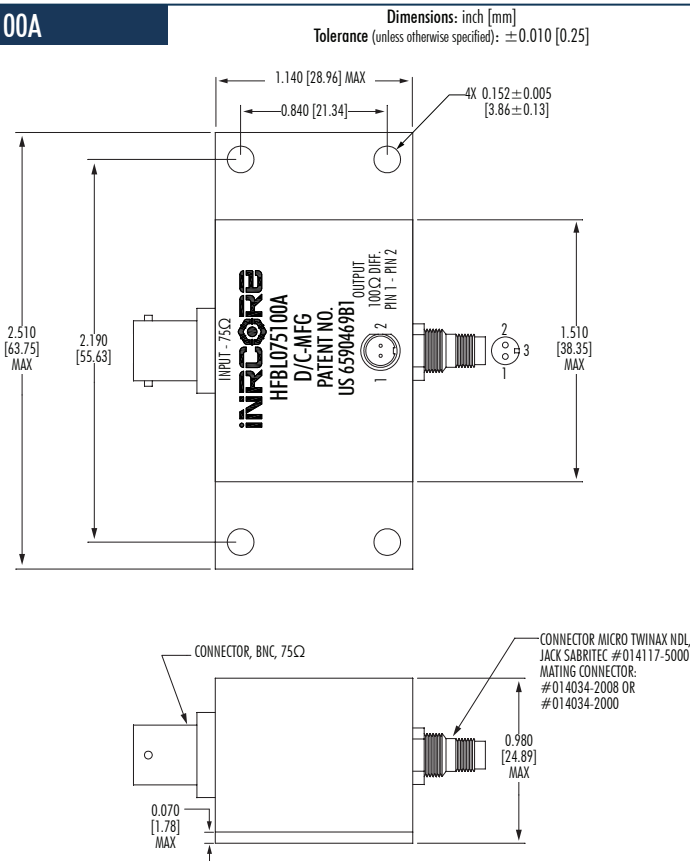
HFB075100B



Mechanicals

Electrical Schematics

HFB075100A



HIGH FREQUENCY BALUN ADAPTOR

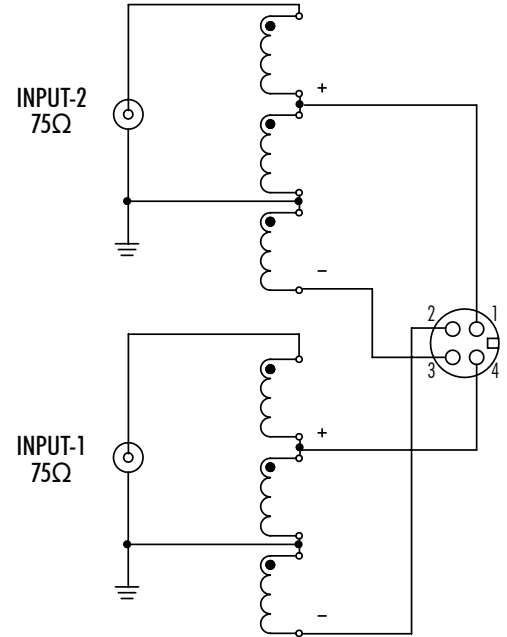
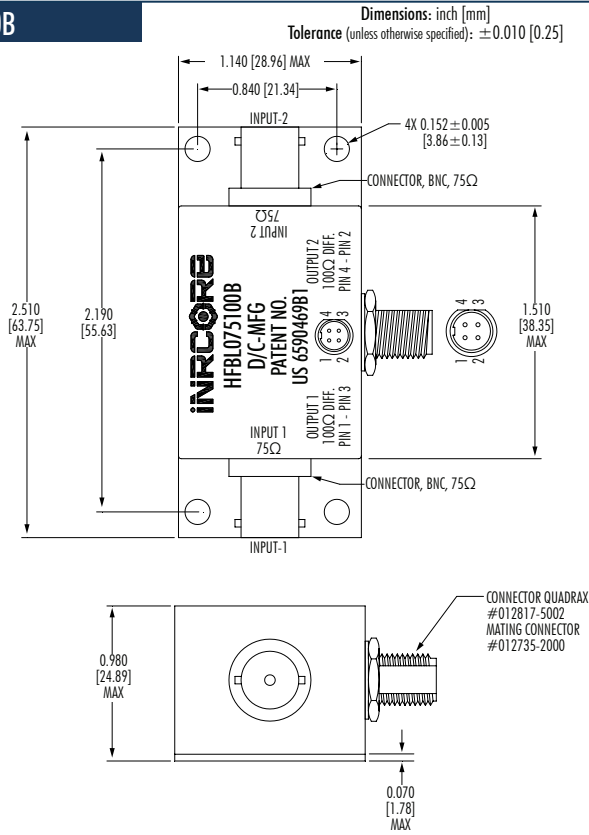
For SMPTE-292M HDTV

Ruggedized

Mechanicals

Electrical Schematics

HFBL075100B



iNRCORE, LLC
311 Sinclair Road, Bristol, PA 19007-6812 USA
Tel: +1.215.781.6400 Fax: +1.215.781.6430

www.iNRCORE.com

M146.H (12JUN24)

Performance warranty of products offered on this data sheet is limited to the parameters specified. Data is subject to change without notice. Other brand and product names mentioned herein may be trademarks or registered trademarks of their respective owners. © Copyright, 2024. iNRCORE, LLC. All rights reserved.