

10G BASE-T TRANSFORMER MODULE



Ruggedized



- Compliant with IEEE 802.3 standards
- Operating Temperature: -40°C to +85°C
- Moisture Sensitivity Level: 3
- Terminal Finish: Sn/Pb

Electrical Specifications @ 25°C

Part Number	Insertion Loss (dB MAX)		Return Loss (dB MIN)					Crosstalk (dB MIN)				DM to CM Rejection (dB MIN)			
	100 kHz	500 kHz	1 MHz	10 MHz	100 MHz	300 MHz	400 MHz	500 MHz	1 MHz	30 MHz	100 MHz	400 MHz	1 MHz	250 MHz	500 MHz
10GB-6001	3.0	1.80	22	24	18	14	10	8	65	42	35	25	40	30	22

NOTES:

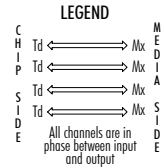
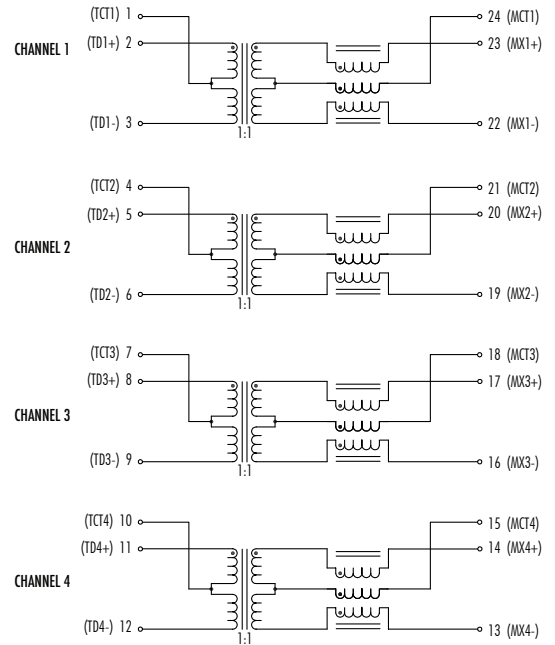
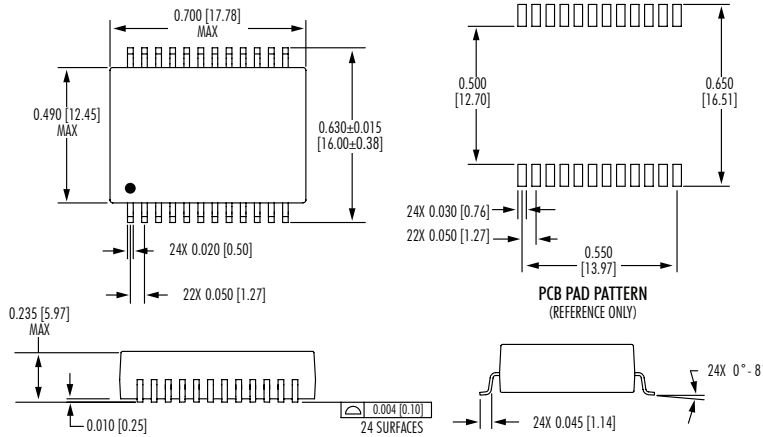
1. Add suffix "NL" for RoHS compliant version; i.e. 10GB-6001 becomes 10GB-6001NL. NL parts have 100% SN Lead Finish (MSL:4)

Mechanicals

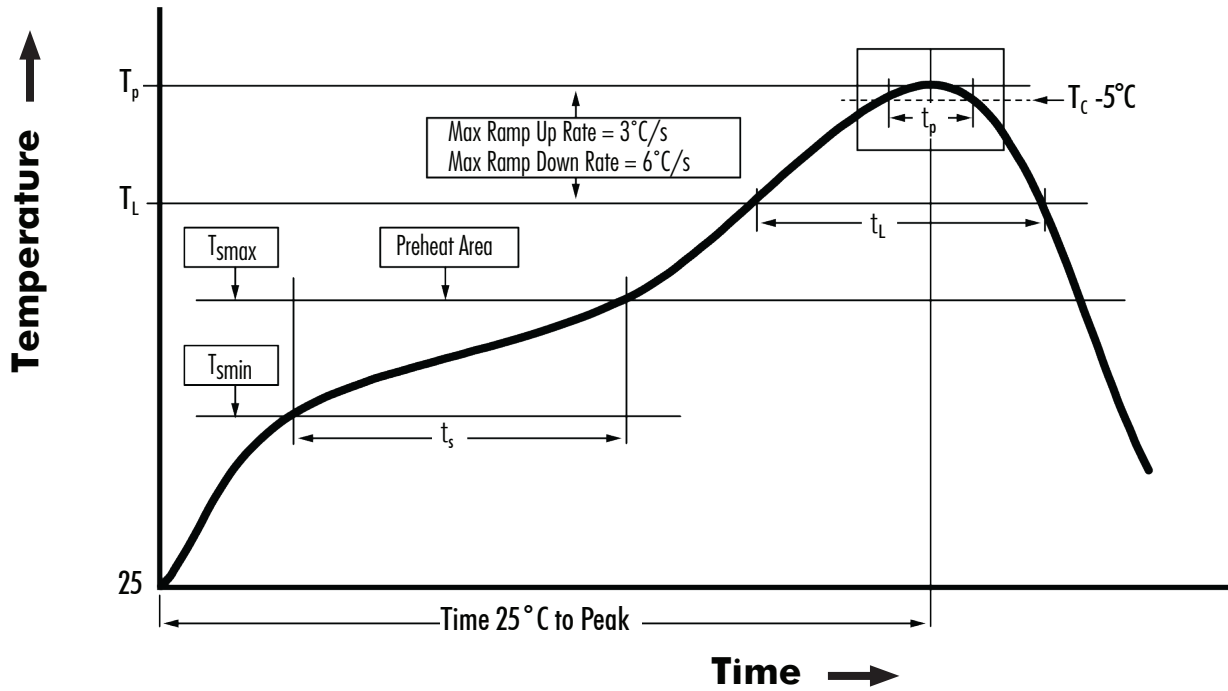
Electrical Schematics

10GB-6001

Dimensions: inch [mm]
Tolerance (unless otherwise specified): ±0.010 [0.25]



Tin/Lead Recommended Reflow Profile (Based on J-STD-020D)



T_{SMIN} (°C)	T_{SMAX} (°C)	T_L (°C)	T_P (°C MAX)	t_s (s)	t_L (s)	t_p (s MAX)	Ramp-up rate (T_L to T_p)	Ramp-down rate (T_p to T_L)	Time 25°C to peak temperature (s MAX)
100	150	183	235	60 - 120	60 - 150	20	3°C/s MAX	6°C/s MAX	360

NOTES:

1. All temperatures measured on the package leads.
2. Maximum times of reflow cycle: 2

