

# 100BASE-T PoE/PoE+ APPLICATION SINGLE&DUAL PORT TRANSFORMERS



Ruggedized

- Compliant with IEEE 802.3 standards
- Lead finish: Sn/Pb (Pure tin for RoHS version)
- Operating temperature: -40°C to +85°C (-55°C to +125° for X version)
- Moisture Sensitivity Level: 3

## Electrical Specifications @ 25°C – Operating temperature: -40°C to +85°C

Part Number	Insertion Loss (dB Max)	Return Loss (dB Min)			Crosstalk (dB Min)				DM to CM Rejection Ratio (dB Min)			Dielectric Withstanding Voltage @60s (Vrms MIN)
	0.1-100 MHz	30 MHz	60 MHz	80 MHz	1 MHz	30 MHz	60 MHz	100 MHz	30 MHz	60 MHz	100 MHz	
100B-1061	-1.2	-18	-14	-12	-50	-43	-37	-33	-43	-37	-33	1500
100B-1062	-1.2	-18	-12	-10	-50	-43	-37	-33	-43	-37	-33	1500
100B-1063	-1.2	-18	-14	-12	-50	-43	-37	-33	-43	-37	-33	1500
100B-1064	-1.2	-18	-12	-10	-50	-43	-37	-33	-43	-37	-33	1500

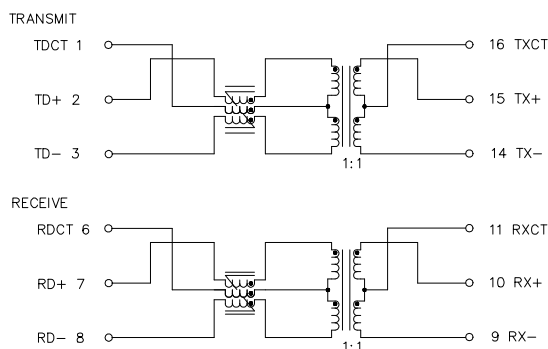
## Continue

Part Number	Power (W Max)	Port	Current Rating Per pair (mA Max)	OCL at 100KHz, 0.1V, operating temperature range (uH Min)	Package	Height (inch Max)
100B-1061	30	Single	600	350, at 18mA DC Bias	16Pin	0.245
100B-1062	60	Single	1200	250, at 36mA DC Bias	16Pin	0.245
100B-1063	30	Dual	600	350, at 18mA DC Bias	24Pin	0.265
100B-1064	60	Dual	1200	250, at 36mA DC Bias	24Pin	0.265

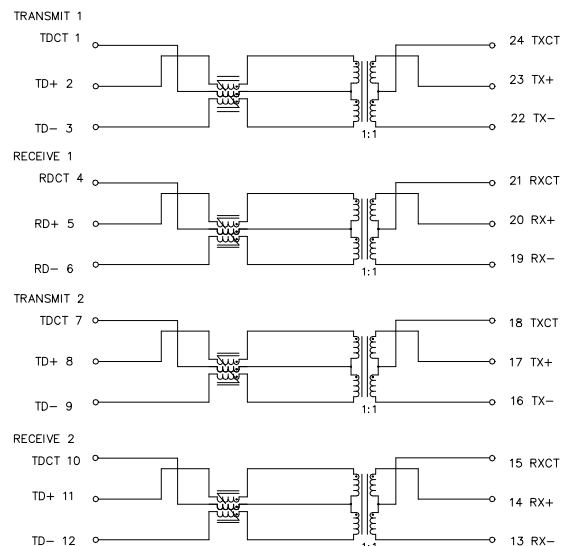
- Notes: 1. Add suffix "X" for extended operating temperature -55°C to +125° (ie: 100B-1061X);  
 2. Add suffix "NL" for RoHS compliant (ie: 100B-1061XNL);  
 3. Add suffix "T" to part number for Tape & Reel package (ie: 100B-1061XNLT).

## Electrical Schematic

### 100B-1061/62



### 100B-1063/64



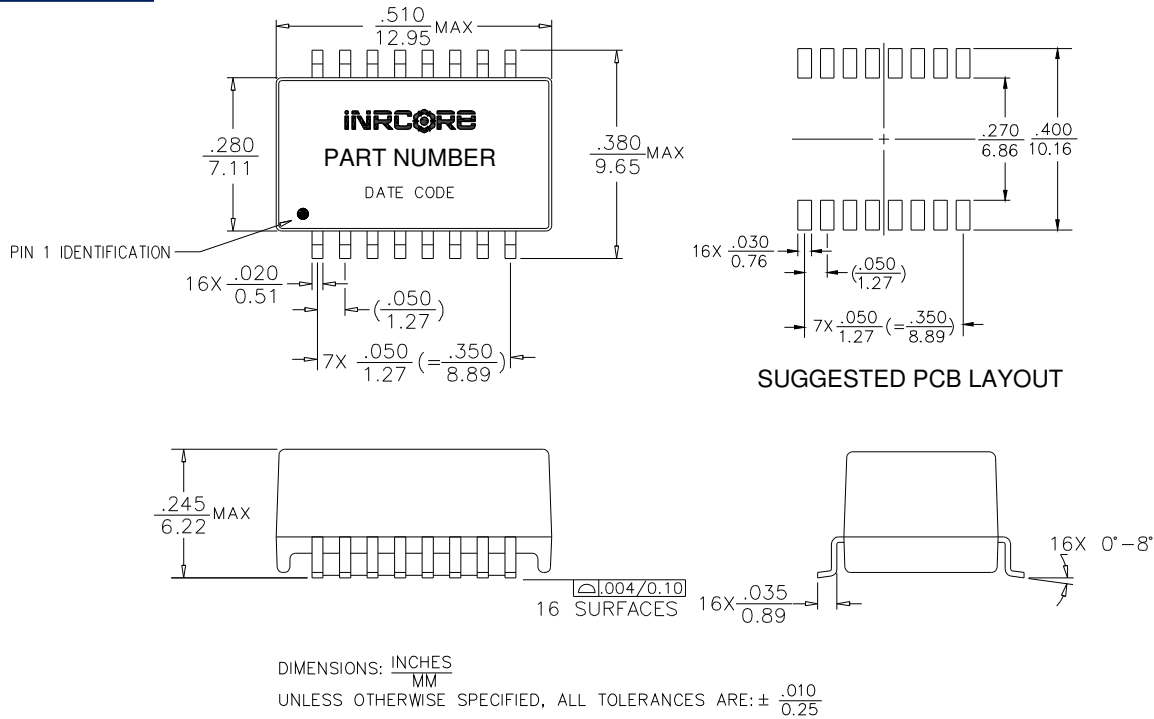
# 100BASE-T PoE/PoE+ APPLICATION SINGLE&DUAL PORT TRANSFORMERS

Ruggedized



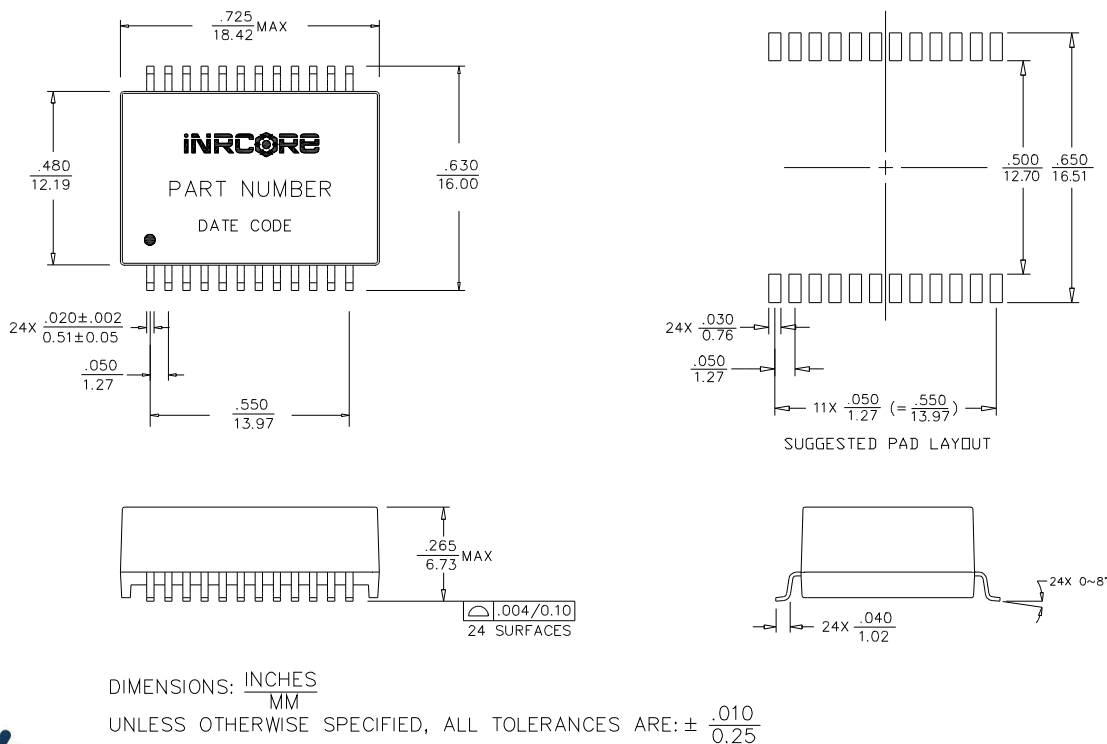
## Mechanical

100B-1061/62

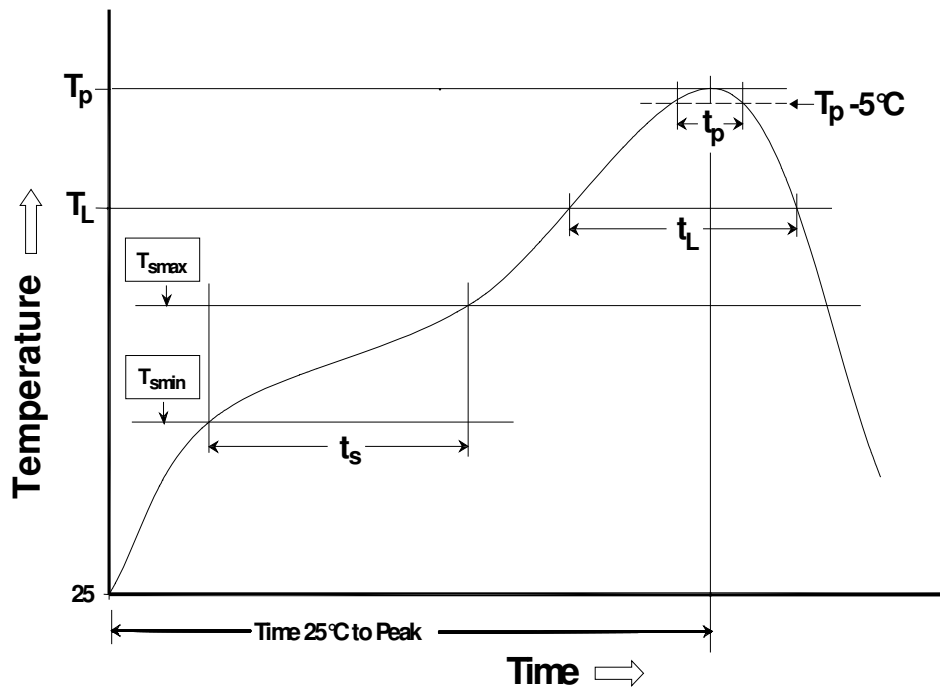


## Mechanical

100B-1063/64



## Tin/Lead Recommended Reflow Profile (Based on J-STD-020D)



$T_{SMIN}$ (°C)	$T_{SMAX}$ (°C)	$T_L$ (°C)	$T_P$ (°C MAX)	$t_s$ (s)	$t_L$ (s)	$t_p$ (s MAX)	Ramp-up rate ( $T_L$ to $T_P$ )	Ramp-down rate ( $T_P$ to $T_L$ )	Time 25°C to peak temperature (s MAX)
100	150	183	220	60-180	60-150	20	3°C/s MAX	6°C/s MAX	360

**Notes:**

1. All temperatures measured on the package leads.
2. Maximum times of reflow cycle: 2.

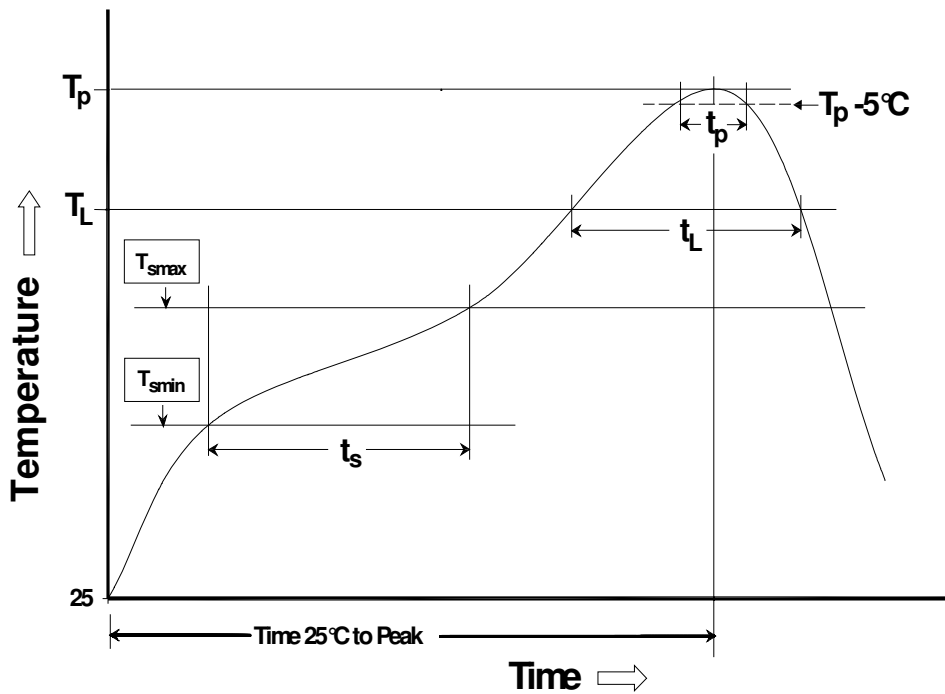


# 100BASE-T PoE/PoE+ APPLICATION SINGLE&DUAL PORT TRANSFORMERS

Ruggedized



## Lead-Free Recommended Reflow Profile (Based on J-STD-020D)



$T_{SMIN}$ (°C)	$T_{SMAX}$ (°C)	$T_L$ (°C)	$T_P$ (°C MAX)	$t_s$ (s)	$t_L$ (s)	$t_p$ (s MAX)	Ramp-up rate ( $T_L$ to $T_P$ )	Ramp-down rate ( $T_P$ to $T_L$ )	Time 25°C to peak temperature (s MAX)
150	200	217	245	60-120	60-150	30	3°C/s MAX	6°C/s MAX	480

### Notes:

1. All temperatures measured on the package leads.
2. Maximum times of reflow cycle: 2.

### For More Information

**iNRCORE,LLC**  
311 Sinclair Road Bristol,  
PA 19007-6812 U.S.A  
Tel: + 1.215.781.6400  
Fax: +1.215.7816430

**Dongguan iNRCORE Co. Ltd**  
No.7 An Li Road  
Changan Town, Dongguan City, China  
Tel: +0769 8165 9962

**Global Sales Representatives and locations:**  
<http://www.inrcore.com>

Performance warranty of products offered on this data sheet is limited to the parameters specified. Data is subject to change without notice. Other brand and product names mentioned herein may be trademarks or registered trademarks of their respective owners. © Copyright, 2020. iNRCORE, LLC. All rights reserved.

