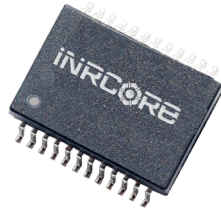


# 10G BASE-T TRANSFORMER MODULE



Ruggedized



- Compliant with IEEE 802.3 standards
- Operating Temperature: -40°C to +85°C
- Epoxy Encapsulated
- Moisture Sensitivity Level: 1
- Terminal Finish: Sn/Pb

## Electrical Specifications @ 25°C

Part Number	Insertion Loss (dB MAX)			Return Loss (dB MIN)			Crosstalk (dB MIN)			CM to CM Rejection (dB MIN)				CM to DM Rejection (dB MIN)			DWV (Vrms)
	0.10 MHz	1 MHz	500 MHz	2 MHz	100 MHz	500 MHz	1 MHz	100 MHz	500 MHz	1 MHz	100 MHz	300 MHz	500 MHz	1 MHz	250 MHz	500 MHz	
10GB-6006	3.0	1.0	1.0	25	11	11	40	30	30	35	30	25	25	30	22	22	1500

### NOTES:

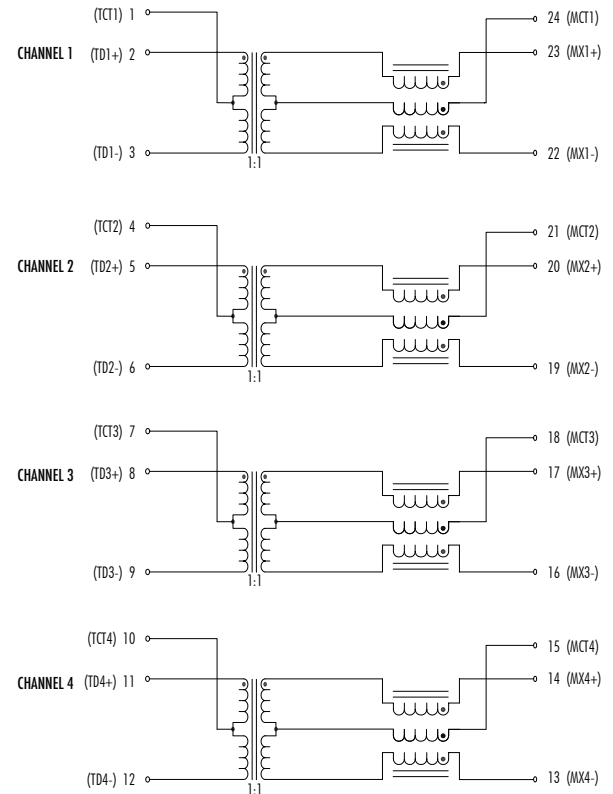
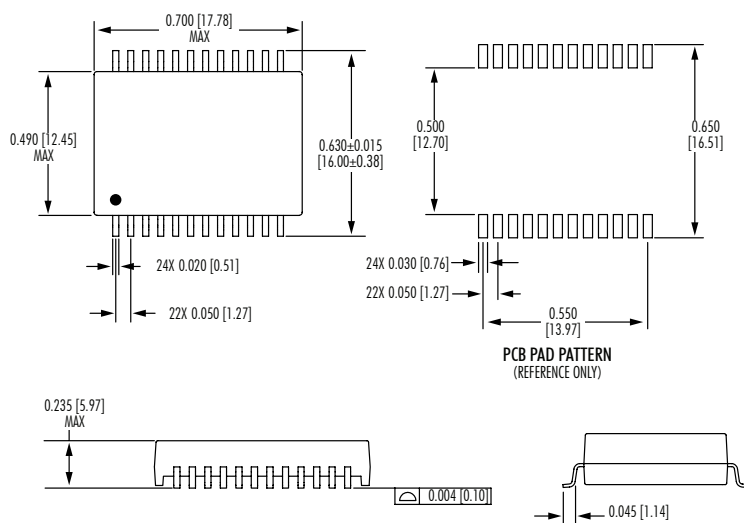
- Add suffix "NL" for RoHS compliant version; i.e. 10GB-6006 becomes **10GB-6006NL**. NL parts have 100% SN Lead Finish (MSL:4)
- For Tape & Reel packaging, add "T" suffix at the end of the part number: i.e. **10GB-6006NLT**

### Mechanicals

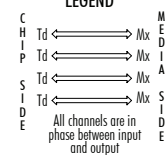
### Electrical Schematics

10GB-6006

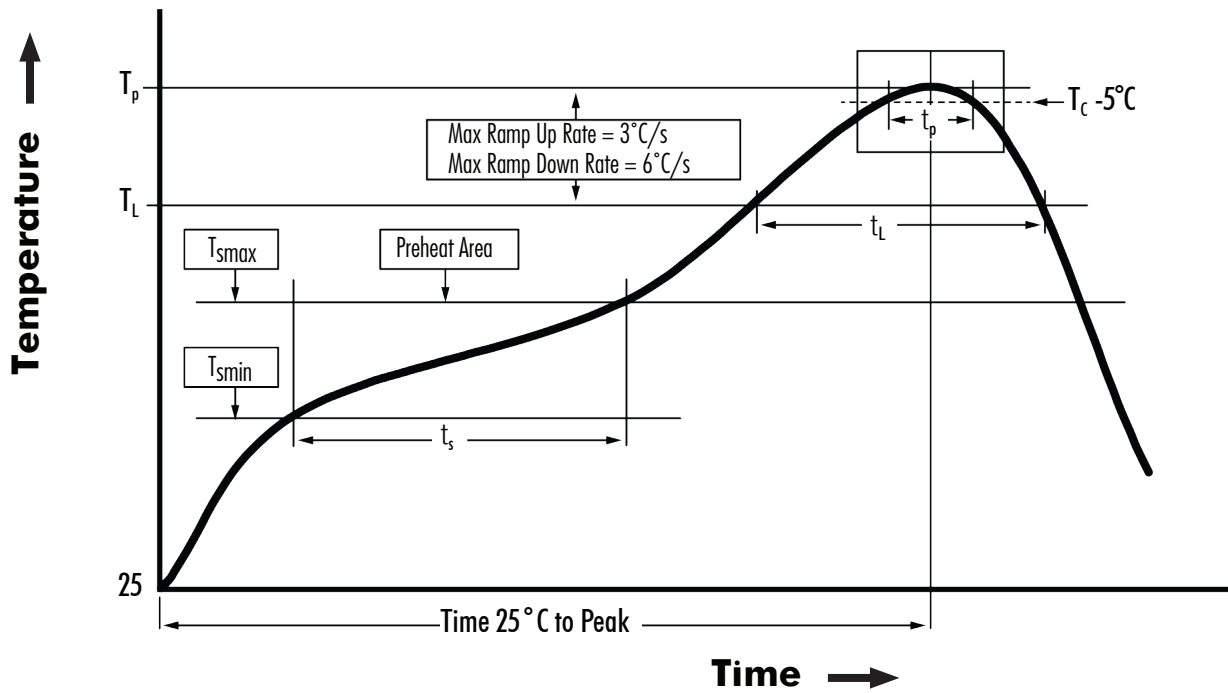
Dimensions: inch [mm]  
Tolerance (unless otherwise specified): ±0.010 [0.25]



#### LEGEND



## Tin/Lead Recommended Reflow Profile (Based on J-STD-020D)



$T_{S_{MIN}}$ (°C)	$T_{S_{MAX}}$ (°C)	$T_L$ (°C)	$T_P$ (°C MAX)	$t_s$ (s)	$t_L$ (s)	$t_p$ (s MAX)	Ramp-up rate ( $T_L$ to $T_P$ )	Ramp-down rate ( $T_P$ to $T_L$ )	Time 25°C to peak temperature (s MAX)
100	150	183	235	60 - 120	60 - 150	20	3°C/s MAX	6°C/s MAX	360

**NOTES:**

1. All temperatures measured on the package leads.
2. Maximum times of reflow cycle: 2

