

GATE DRIVE TRANSFORMER

Ruggedized



- ⊗ 60V - μ sec MAX
- ⊗ Lead finish: Sn100
- ⊗ 1500Vrms isolation (380Vrms continuous)
- ⊗ Moisture Sensitivity Level: 3

Electrical Specifications @ 25 °C – Operating Temperature – 55 °C to +130 °C

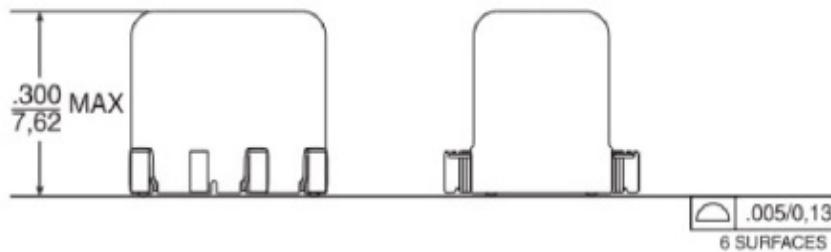
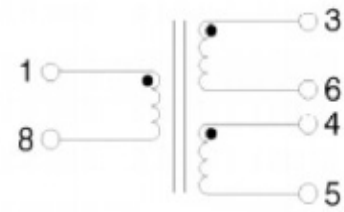
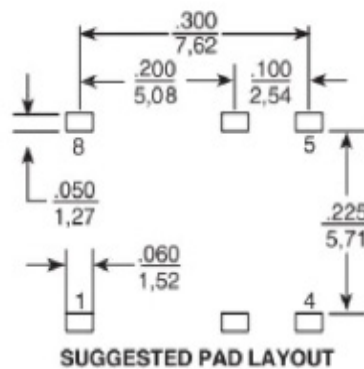
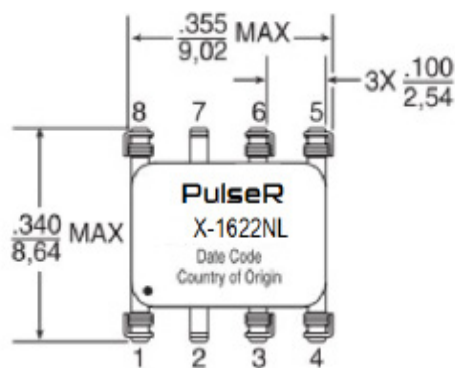
Part 3,4 Number	Turns Ratio	Pri-Sec Insulation	Max ¹ (V* μ sec)	Primary Inductance (μ H MIN)	Leakage ² Inductance	DCR Primary (Ω MAX)	DCR Secondary (Ω MAX)
X-1622	1:1:1	1500 VRMS	60	1800	0.60	1.60	1.60

- Notes:
1. Add the suffix "NL" for RoHS compliant part: i.e. X-1622 becomes **X-1622NL**.
 2. The maximum volt- μ sec rating limits the peak flux density to 2800 Gauss when used in a unipolar drive application. For bi-polar drive applications a maximum volt- μ sec of two times this rating is acceptable (ie: 2* (volt* μ sec rating) Volt* μ sec = (voltage applied to the pri-ary) * dutycycle / Frequency = V * alpha / Freq_Hz = V * μ sec
 3. Leakage inductance is measured at primary terminals with all second-aries shorted.
 4. Optional Tape & Reel packaging can be ordered by adding a "T" suffix to the part number (i.e. X-1622NL becomes **X-1622NLT**).
 5. The temperature of the component (ambient plus temperature rise) must be within the stated operating temperature range.

Mechanical

Electrical Schematic

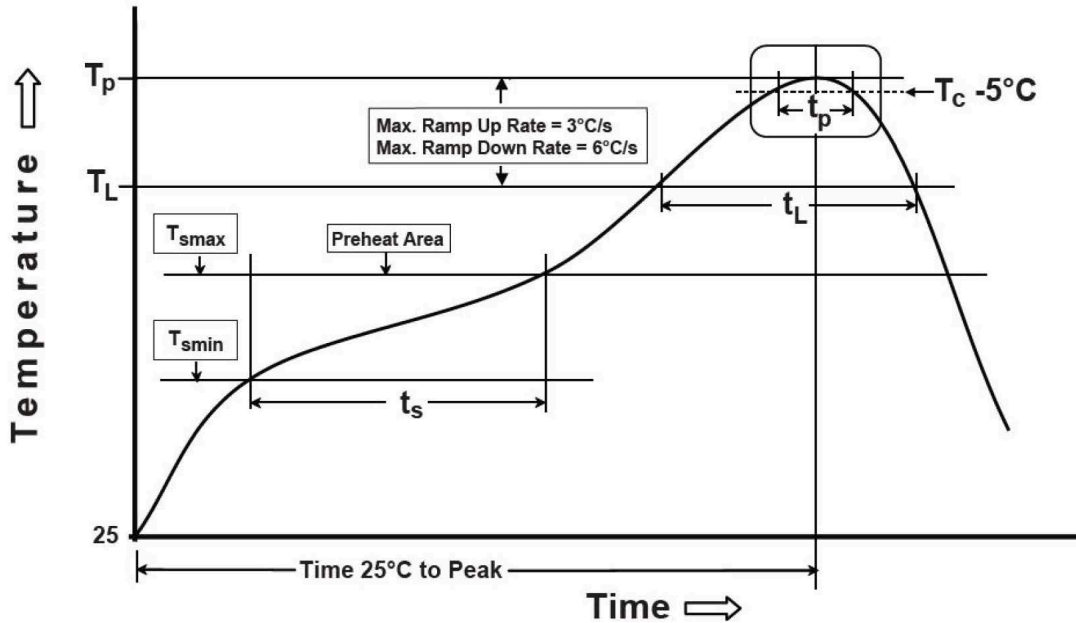
X-1622/NL



Dimensions: $\frac{\text{Inches}}{\text{mm}}$
 Unless otherwise specified, all tolerances are: $\pm \frac{.010}{0.25}$



Tin/Lead Recommended Reflow Profile (Based on J-STD-020D)



T_{SMIN} (°C)	T_{SMAX} (°C)	T_L (°C)	T_P (°C MAX)	t_s (s)	t_L (s)	t_p (s MAX)	Ramp-up rate (T_L to T_P)	Ramp-down rate (T_P to T_L)	Time 25°C to peak temperature (s MAX)
100	150	183	235	60-120	60-150	20	3°C/s MAX	6°C/s MAX	360

Notes:

1. All temperatures measured on the package leads.
2. Maximum times of reflow cycle: 2.

For More Information

iNRCORE, LLC
 311 Sinclair Road Bristol,
 PA 19007-6812 U.S.A
 Tel: + 1.215.781.6400
 Fax: +1.215.7816430

Global Sales Representatives and Locations:
<http://www.inrcore.com>

Performance warranty of products offered on this data sheet is limited to the parameters specified. Data is subject to change without notice. Other brand and product names mentioned herein may be trademarks or registered trademarks of their respective owners. © Copyright, 2020. iNRCORE, LLC. All rights reserved.

