

- ⚙ Fcgefr8 / .,0kk K_v
- ⚙ Dmmrnqglr8 /7,7kk v /2,3kk K_v
- ⚙ Asppclr P_rgle8 sn rm 13?
- ⚙ Dpcosclaw P_lcc8 3. iFx rm 3. . iFx
- ⚙ Kmqrspc Qclqrgtgrw Jctcjb8 /

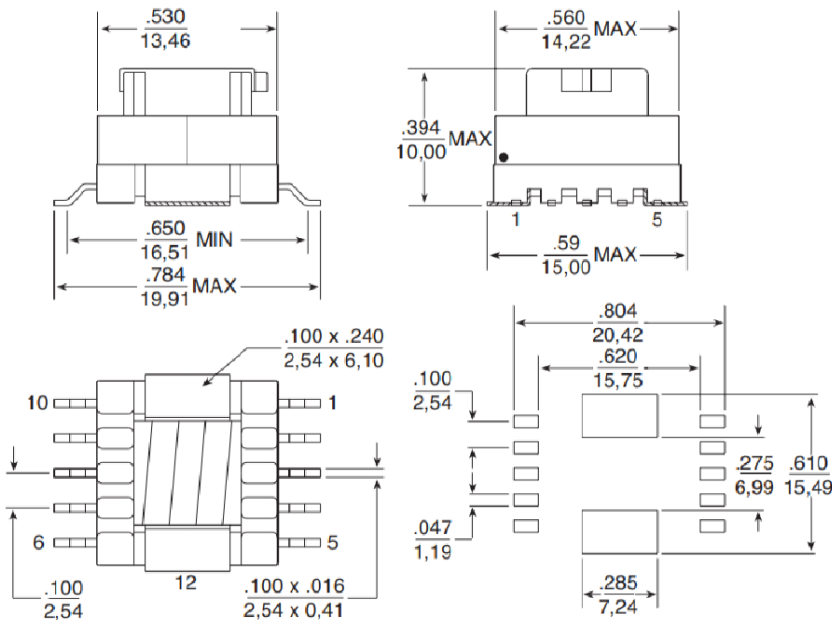
Electrical Specifications @ 25 °C – Operating Temperature – 55°C to +125 °C

N_pr 3*4 Lsk`cp	Rsplq P_rgm	Qcamlb_pw 6lbsar_lac &kF K&L'	BAP &kU K?V'		Fgnmr &TPKQ'
			Ngqk_pw &/ /+ /0'	Qcamlb_pw &0:2'	
NJ/617	3.8/	1,2	.20	5..	/6..
NJ/6.6	1. .8/	3,4	.20	/2..	/6..
NJ/62.	0. .8/	00,2	.20	07..	/6..

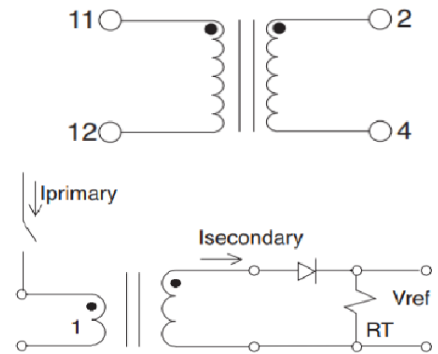
LMRCQ8 /, Rfc rckncp_rspc md rfc amknmlclr &_k`qclr rckncp_rspc njsq rckncp_rspc ppgc' ksqr `c ugrfjl rfc qncayqcb mncp_rgle rckncp_rspc p_lcc, 2. Rfc nc_i djsv bclqgrw md rfc bctjac ksqr pck_yl `cjm u 0. . E_sqg, Rm a_jasj_rc rfc nc_i djsv bclqgrw dmp_slqnmj_p asppclr sqc rfc dnjmuyle dmpksj_8 @NI ; 6. (TPCD (&Bsw] Awajc] K_v' (/ .3 - & L (Dpco] iFx' (dmp `qnmj_p asppclr_nnjga_rmlq bytjbc @NI_q a_jasj_rcb `mtc `w 0, 3. Mnrqml_j R_nc \$ Pccj_n_ai_eyle a_l `c mpbcpcb `w_bbyle `R- qsdtyv rm rfc n_pr lsk`cp &q,c, NJ/617 `camkccq NJ/617R',

0, Rfc k_vkksk asppclr_p_rgle qg `qcb snml rckncp_rspc ppgc md rfc amknmlclr_lb pcncpqlrq rfc BA asppclr ufaf uajj a_sqc `nwngaj rckncp_rspc ppgc md 2. A ugrf lm `qdmu, 1, Rm a_jasj_rc rfc t_jsc md rfc rcpkyl_rgle pcqqrmp &Pr' sqc rfc dnjmuyle dmpksj_8 Pr &U' ; TPCD (L - &nc_i] nqk_pw'

Mechanical



Electrical Schematic



APPLICATION CIRCUIT

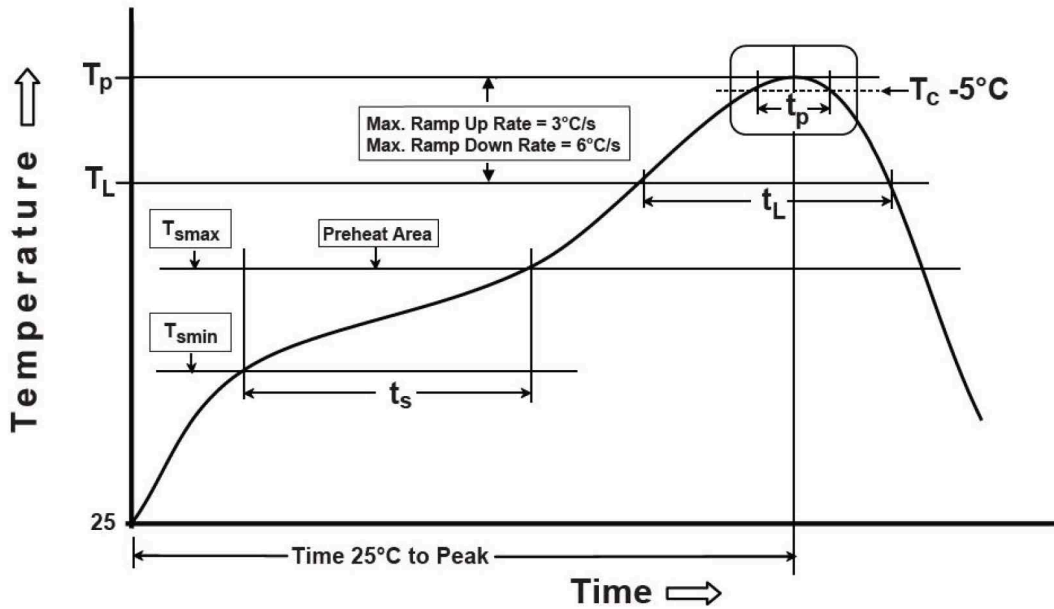
Weight4.7 grams
 Tray100/tray
 Tape & Reel300/reel
 Coplanarity0.006 inches

Dimensions: $\frac{\text{Inches}}{\text{mm}}$

Unless otherwise specified, all tolerances are: $\pm \frac{.010}{0,25}$



Tin/Lead Recommended Reflow Profile (Based on J-STD-020D)



T_{SMIN} (°C)	T_{SMAX} (°C)	T_L (°C)	T_P (°C MAX)	t_s (s)	t_L (s)	t_p (s MAX)	Ramp-up rate (T_L to T_P)	Ramp-down rate (T_P to T_L)	Time 25°C to peak temperature (s MAX)
100	150	183	235	60-120	60-150	20	3°C/s MAX	6°C/s MAX	360

Notes:

1. All temperatures measured on the package leads.
2. Maximum times of reflow cycle: 2.

For More Information

iNRCORE, LLC
 311 Sinclair Road Bristol,
 PA 19007-6812 U.S.A
 Tel: + 1.215.781.6400
 Fax: +1.215.7816430

Global Sales Representatives and Locations:
<http://www.inrcore.com>

Performance warranty of products offered on this data sheet is limited to the parameters specified. Data is subject to change without notice. Other brand and product names mentioned herein may be trademarks or registered trademarks of their respective owners. © Copyright, 2020. iNRCORE, LLC. All rights reserved.

