

1000 BASE-T TRANSFORMER MODULE

Ruggedized

- ⊗ Compliant with IEEE 802.ab for 1000Base-T
- ⊗ 350μH OCL with 8mA bias at extended temperatures
- ⊗ Operating Temperature:
 - ⊗ 1000B-5010: -40°C to +85°C
 - ⊗ 1000B-5010X: -55°C to +125°C
- ⊗ Storage Temperature: -55°C to +125°C
- ⊗ IC grade encapsulated package withstand 235°C peak temperature
- ⊗ Moisture Sensitivity Level: 3

Electrical Specifications @ 25°C

Part Number	Insertion Loss (dB MAX)	Return Loss (dB MIN)				Crosstalk (dB MIN)			CM to CM Rejection Ratio (dB MIN)			DM to CM Rejection Ratio (dB MIN)			HiPot (Vrms MIN) @60Hz (1 MIN)
	0.10 - 100 MHz	30 MHz	60 MHz	80 MHz	100 MHz	30 MHz	60 MHz	100 MHz	30 MHz	60 MHz	100 MHz	30 MHz	60 MHz	100 MHz	
1000B-5010	1.2	18	12	10	10	43	37	33	40	35	30	43	37	33	1500
1000B-5010X	1.4	18	12	10	8	43	37	33	40	35	30	43	37	33	1500

NOTES:

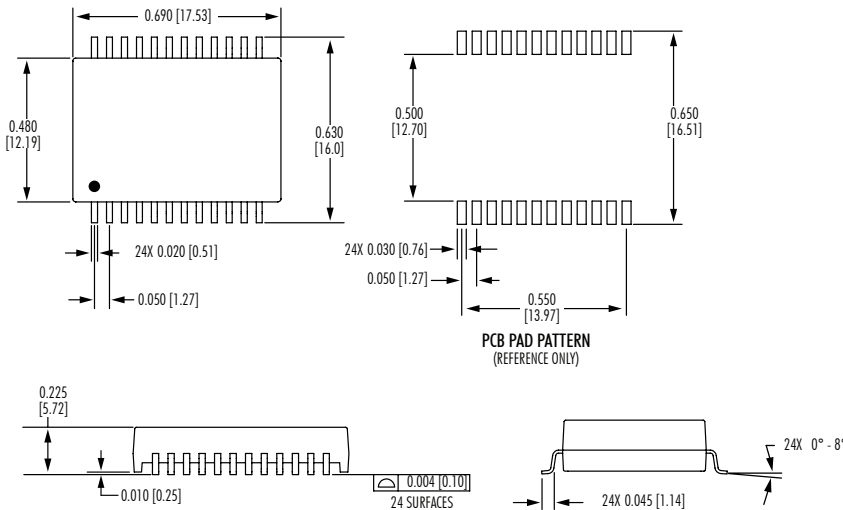
1. Add suffix "NL" for RoHS compliant version; i.e. 1000B-5010 becomes 1000B-5010NL.
2. For Tape & Reel packaging, add "T" suffix at the end of the part number: i.e. 1000B-5010T.

Mechanicals

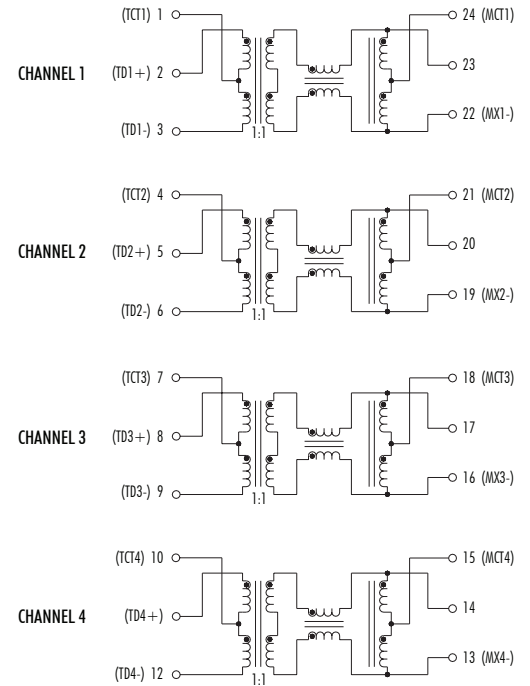
Electrical Schematics

1000B-5010(X)

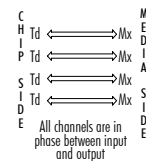
Dimensions: inch [mm]
Tolerance (unless otherwise specified): ±0.010 [0.25]



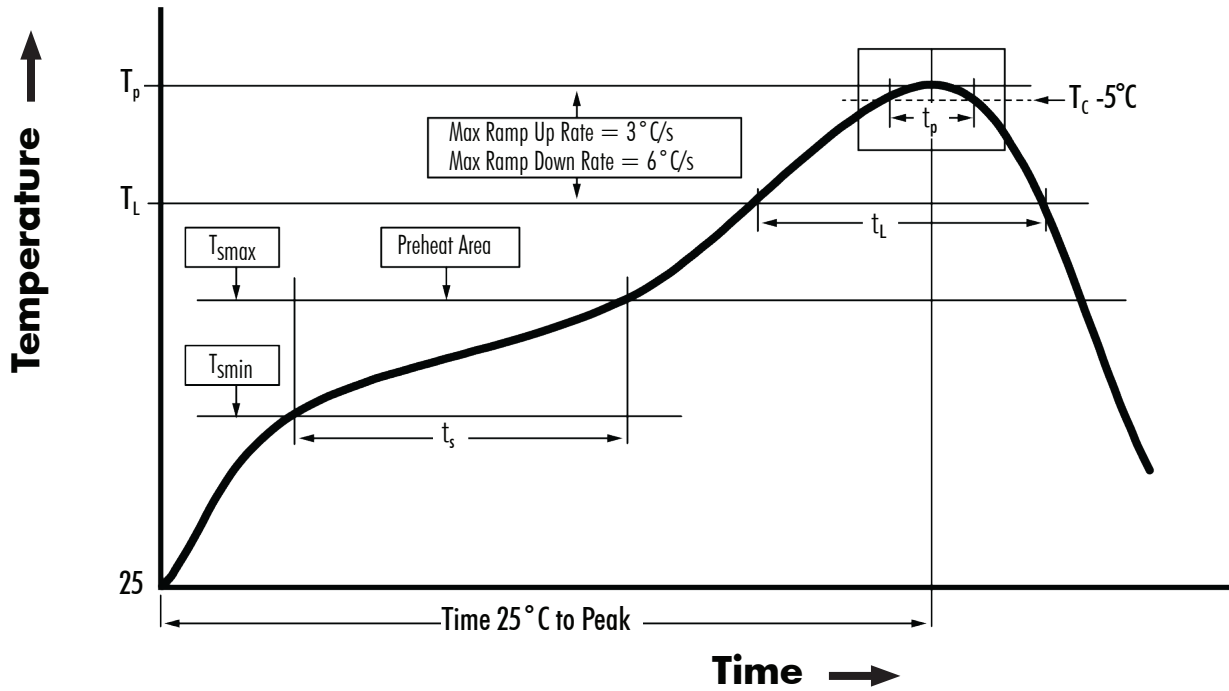
Weight: 3.0 grams
Tape and Reel: 300/reel
Tube: 25/tube



LEGEND



Recommended Reflow Profile (Based on J-STD-020D)



T_{SMIN} (°C)	T_{SMAX} (°C)	T_L (°C)	T_P (°C MAX)	t_s (s)	t_l (s)	t_p (s MAX)	Ramp-up rate (T_L to T_p)	Ramp-down rate (T_p to T_L)	Time 25°C to peak temperature (s MAX)
150	200	217	245	60 - 120	60 - 150	30	3°C/s MAX	6°C/s MAX	480

NOTES:

1. All temperatures measured on the package leads.
2. Maximum number of reflow cycles not to exceed 2.

